



**VENTILATION
PRODUCTS**

GAOWEI GROUP

Add: 1 Yihui Er Road, Maohui Industrial District,
Henglan, Zhongshan, Guangdong, CHINA

Tel: +86-760-8776 9970

Fax: +86-760-8776 9970

E-mail: jtan@gaowei-group.com

www.gaowei-group.com



GAOWEI GROUP

CONTENTS

FINISHED PRODUCTS

- BLDC BIG DIAMETER FANS P04
- METAL IN-LINE DUCT FANS P06
- PLASTIC IN-LINE DUCT FANS P08
- AIR CURTAIN P10
- INDUSTRIAL EXHAUST FANS P12
- HIGH VELOCITY FANS P14-P21
- IAXIAL FANS P22
- INDUSTRIAL CEILING FAN P24

COMPONENTS

- BRUSHLESS DC MOTOR P27
- EXTERNAL ROTOR MOTOR P28
- CAPACITOR MOTOR P29-P33
- SHADED POLE MOTOR P34-P35
- CEILING FAN MOTOR P36

OTHER COMPONENTS

- AIR CHAMBER P38
- IMPELLER WITH MOTOR P40
- ACTIVATED CHARCOAL FILTER P42



GAOWEI GROUP

INTRODUCTION

GaoWei group was founded in 1979. It is committed to the development and production of motor since 1983, the annual output is about 5000000 units. Since 1999, the company has started a joint venture of R&D manufacturing enterprise cooperated with a well-known European home appliance company. Our main products include various kinds of ceiling fan, fan heaters, kitchen ventilating products, industrial ventilation products and all kinds of motor products. The company covers an area of more than 150,000 square meters, the building area is 350,000 square meters. Currently the company has five general assembling plants with subsidiaries factory of hardware punching, plastic injection, powder coating and electrostatic enameling. Moreover, the company owns more than 500 units of production equipment such as 50-500T automatic punching machines, hydraulic machine, large injection molding machine, automatic laser cutting machine, CNC bending machine, automatic electrophoresis line, automatic powder spray line, automatic electrostatic powder enamel and other advanced equipment and plus the total of 100 standard assembly lines.

At present, the company owns a motor research institute and a team of 200 R&D technicians and managers, half of them are holding a senior professional titles, thus, we has the qualification of independent research and development ability for different kinds of product.

We sincerely welcome customers from all over the world to cooperate with us to seek bright future in mutual benefit.

BLDC BIG DIAMETER FANS

BLDC BIG DIAMETER FANS



Product Description:

The big diameter ceiling fan is driven directly by the leading brushless DC motor technology. It can effectively drive large air flow at low speed, produce large air volume, and make the air flow field of circulation movement. It is an ideal solution of ventilation and cooling for large spaces. It is widely used in industrial plants, logistics warehouses, exhibition centres, agriculture, theme park, restaurants, shopping mall and other large venues.

Product Features:

- The fan utilises permanent magnet brushless motor.
- Simple and reliable structure without the reducer.
- Simple wiring and convenient installation.
- There are 6 switches with varieties of air speeds could be selected.
- Remote control, easy to operate.
- The system operates smoothly with low noise and less heat.
- The fan blade is made with thick aluminium plate, which is safe and reliable.

Product Advantages:

- Energy saving : the utilisation of the permanent magnet motor could provide high energy efficiency and use less power, which could save more than 50% of energy than ordinary motors.
- Quite: 45dB ultra low noise.
- Large coverage area: The largest fan covering area could be up to 300 square meters.
- Multiple speed control: 40-100 rotation, 6 speeds- remote control.
- Easy installation: light weight, easy to install.
- Safe and reliable: multiple protection, intelligent motor protection.
- Convenient operation: provide remote control with/without the timing function.

Product Parameters:

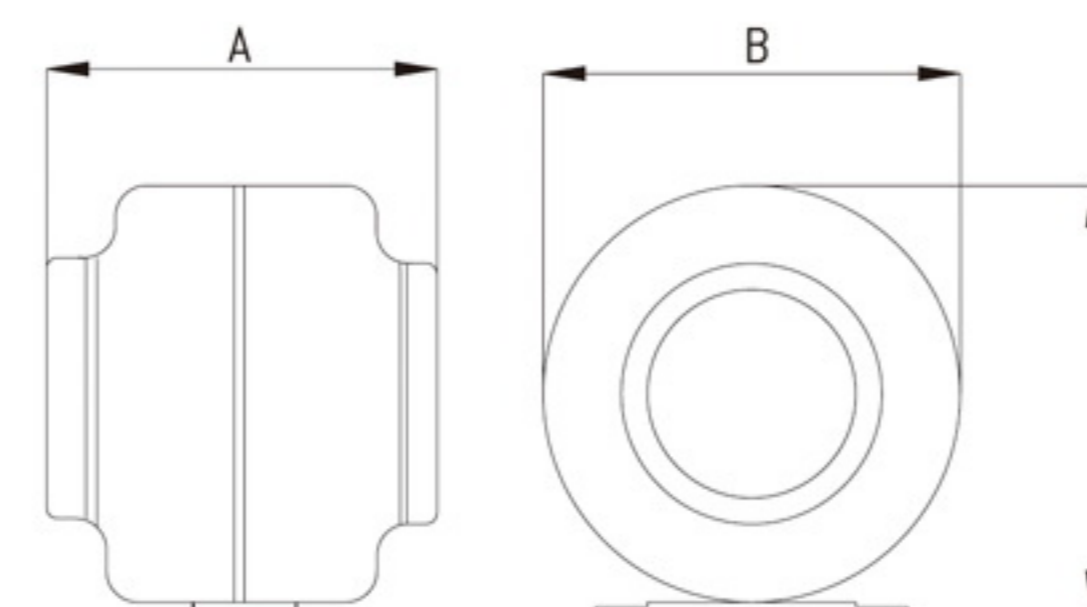
Model	Voltage (V)	Hertz (Hz)	Current (A)	Input Power (W)	Rotation (RPM)	Air Volumn (m ³ /h)	Area Cover (m ²)	Size		
								A(mm)	B(mm)	C(mm)
CF-80DCC-8B	230	50	0.81	80	40~100	16000	100	2032	670	2032
CF-100DCC-8B	230	50	0.94	120	40~100	23000	150	2540	670	2540
CF-120DCC-8B	230	50	0.94	120	40~100	30000	200	3048	670	3048
CF-80DCA-8B	230	50	0.81	80	40~100	16000	100	2032	670	2032
CF-100DCA-8B	230	50	0.94	120	40~100	23000	150	2540	670	2540
CF-120DCA-8B	230	50	0.94	120	40~100	30000	200	3048	670	3048
CF-150DCA-8B	230	50	1.88	250	40~100	45000	300	3810	670	3810

METAL IN-LINE DUCT FANS

METAL IN-LINE DUCT FANS

Product Description:

Our metal in-line duct fan is made of metal cover and metal impeller with quality motors, which provides single phase external rotor motor or brushless DC motor option. The printed metal design provides the features of rusty and dust protection and high temperature resistance. Due to the characteristic of dampen torque ripples of external rotor motor, the fan is able to operate at a stable and smooth range. For the brushless DC motor, the fan is driven by high efficient design, which helps for higher energy saving and more environmentally friendly. Both options provide a better performance on large air pressure and volume, low noise and long life. They are best selection of cooling ventilation for commercial and industrial applications.



Product Parameters:

Model	Voltage (V)	Hertz (Hz)	Current (A)	Input Power (W)	Rotation (RPM)	Capacitor (μF)	Air Volume (m³/h)	Size		
								A(mm)	B(mm)	C(mm)
GTF-100	230	50	0.39	85	2450	3	238	230	180	250
GTF-125	230	50	0.42	90	2300	3	312	230	180	250
GTF-150	230	50	0.8	180	2500	5	725	330	290	350
GTF-160	230	50	0.8	180	2500	5	725	330	290	350
GTF-200N	230	50	0.72	165	2600	5	1020	330	290	350
GTF-250	230	50	0.7	160	2600	5	1200	330	290	350
GTF-315	230	50	1	220	2050	6.5	1380	410	280	230
GTF-315X	230	50	1.24	286	2578	6.5	1850	410	280	420

DC MOTOR SERIES

Product Parameters:

Model	Voltage (V)	Hertz (Hz)	Current (A)	Input Power (W)	Rotation (RPM)	Capacitor (μF)	Air Volume (m³/h)	Size		
								A(mm)	B(mm)	C(mm)
GTF-100DC	230	50	0.46	55	2510	/	250	230	180	250
GTF-200DC	230	50	0.84	101	2480	/	1080	330	290	350
GTF-315DC	230	50	1.51	200	2340	/	1890	410	280	230

PLASTIC IN-LINE DUCT FANS

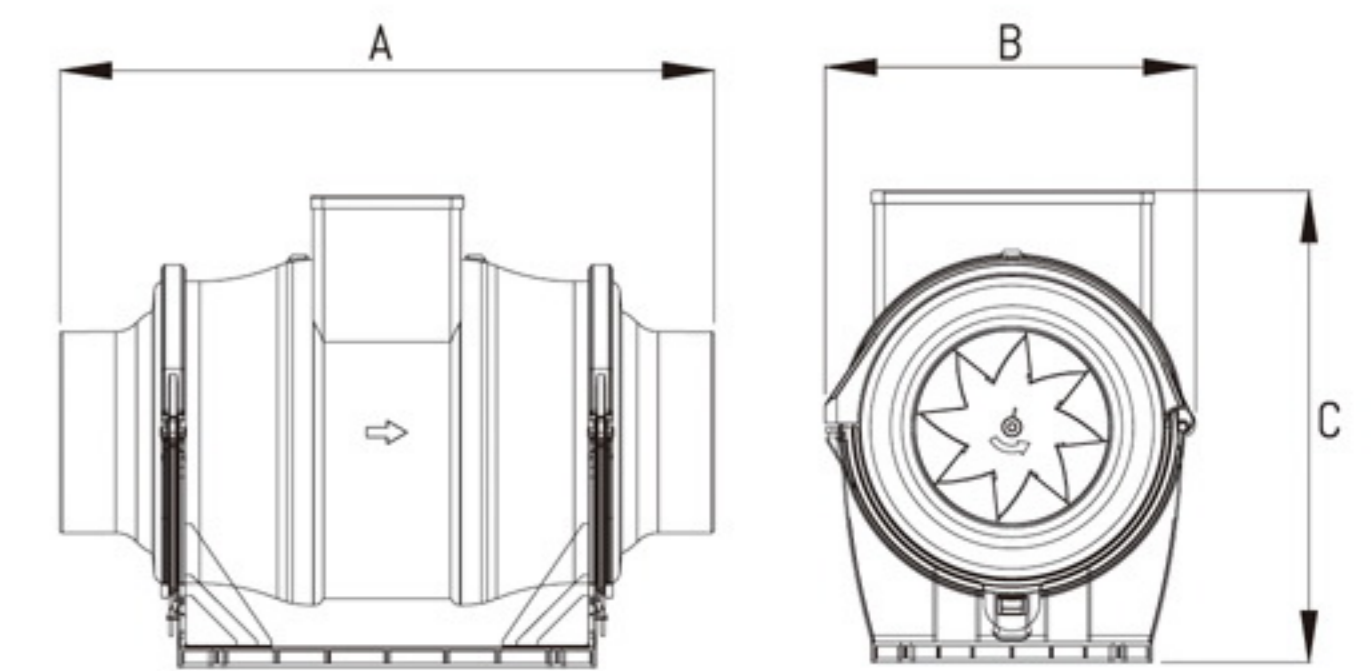


PLASTIC IN-LINE DUCT FANS



Product Description:

The plastic in-line duct fan is largely adopted in wide ventilation range of residential, commercial and industrial application. The plastic cover and impeller of the fan is made of pure material which is environmental and durable. The quality capacitor motor which is supplied in the fan provides an efficient performance with larger air volume, quite operation and energy saving. It is an extremely quiet, efficient, economic and environmental friendly in-line fan for normal utilisation and low noise work place.



Product Parameters:

Model	Voltage (V)	Hertz (Hz)	Current (A)	Input Power (W)	Rotation (RPM)	Capacitor (μF)	Air Volumn (m³/h)	Size		
								A(mm)	B(mm)	C(mm)
GPF-100	220~240	50	0.167	40	2300	1	220	300	180	220
GPF-125	220~240	50	0.167	40	2300	1	230	300	180	220
GPF-150	220~240	50	0.293	70	2600	2	420	290	180	230
GPF-160	220~240	50	0.293	70	2600	2	450	290	180	230
GPF-200	220~240	50	0.354	85	2700	2.5	550	360	220	270

DC MOTOR SERIES

Product Parameters:

Model	Voltage (V)	Hertz (Hz)	Current (A)	Input Power (W)	Rotation (RPM)	Capacitor (μF)	Air Volumn (m³/h)	Size		
								A(mm)	B(mm)	C(mm)
GPF-100 BLDC	220~240	50	0.483	45	2600	/	350	300	180	220
GPF-150 BLDC	220~240	50	0.532	60	2940	/	535	290	180	230
GPF-200 BLDC	220~240	50	0.6	65	3000	/	615	360	220	270

AIR CURTAIN

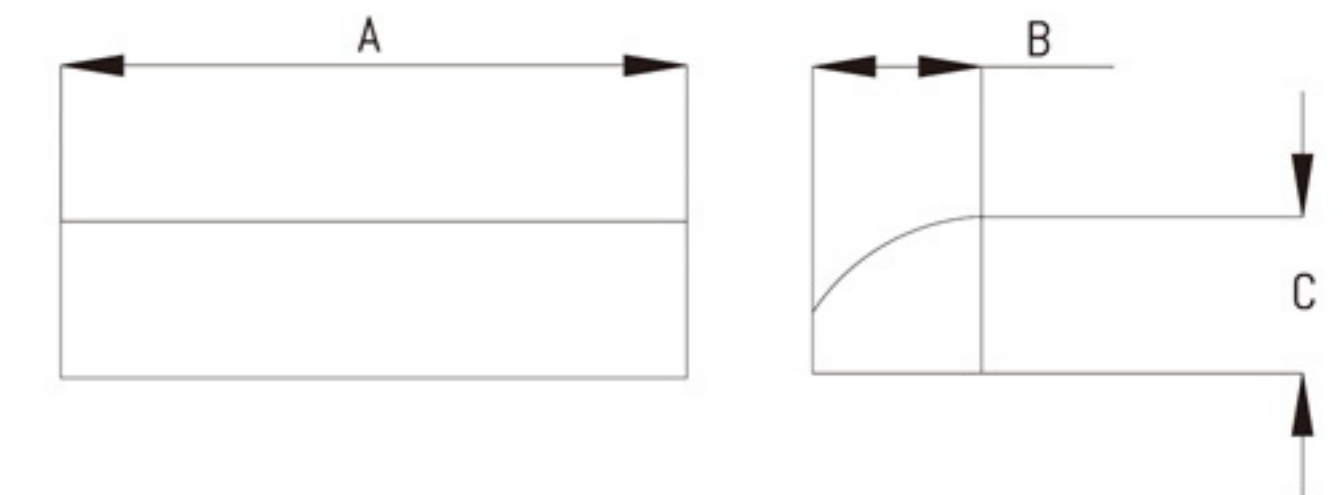


AIR CURTAIN



Product Description:

Our different dimensions air curtain is suitable for variable sizes of installation. The wall application is well adopted in commercial and industrial sites. This machine can fit up to 4 meters height and it could perfectly create an air barrier over the doorway to prevent the air move from separate places, and thus to prevent energy loss. Its metal design helps for high temperature resistance. All ranges provide brushless DC motor options, which is high efficiency and energy saving solution for the end users, moreover, the quality and reliable DC options can also provide an extremely low noise environment to the users.



Product Parameters:

Model	Voltage (V)	Hertz (Hz)	Current (A)	Input Power (W)	Rotation (RPM)	Capacitor (μF)	Air Volume (m³/h)	Size		
								A(mm)	B(mm)	C(mm)
AD-900	220	50	1.05	230	1020	5	1000	900	230	212
AD-1000	220	50	1.05	230	1020	5	1000	1000	230	212
AD-1200	220	50	1.39	305	1360	5	1200	1200	230	212
AD-1800	220	50	2.05	450	2040	5	2000	1800	230	212
AD-900DC	220	50	1.5	210	2000	/	2000	900	230	212
AD-1000DC	220	50	1.5	210	2000	/	2000	1000	230	212
AD-1200DC	220	50	1.5	210	2000	/	2000	1200	230	212
AD-1800DC	220	50	2.25	315	2000	/	3000	1800	230	212

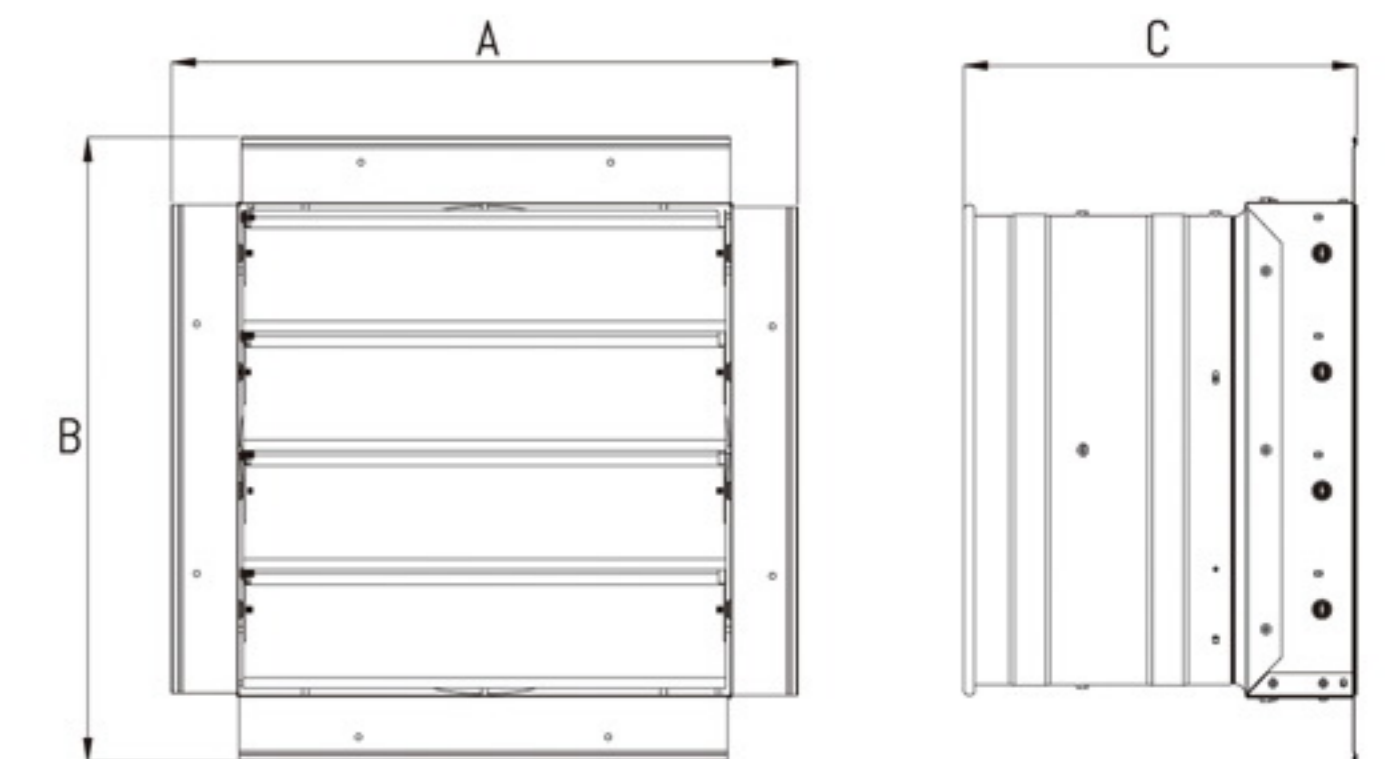
INDUSTRIAL EXHAUST FANS

INDUSTRIAL EXHAUST FANS



Product Description:

The industrial exhaust fan is manufactured with galvanised steel housing which makes the fan have the characteristics of rust and heat resistance and long lasting durability. With the quality inserted motor, the fan provides an experience of high air volume, high efficiency, energy saving, low noise and easy installation for users. It is an ideal ventilation choice for commercial, industrial and agriculture applications, such as warehouse or farm.



Product Parameters:

Model	Voltage (V)	Hertz (Hz)	Current (A)	Input Power (W)	Rotation (RPM)	Capacitor (µF)	Air Volume (m³/h)	Size		
								A(mm)	B(mm)	C(mm)
GFP14	120	60	1.9	220	1380	16	1400	524	524	329
GFP18	120	60	2.7	300	1100	16	2800	613	613	344
GFP30	120	60	5.2	570	1050	32	5500	954	954	388

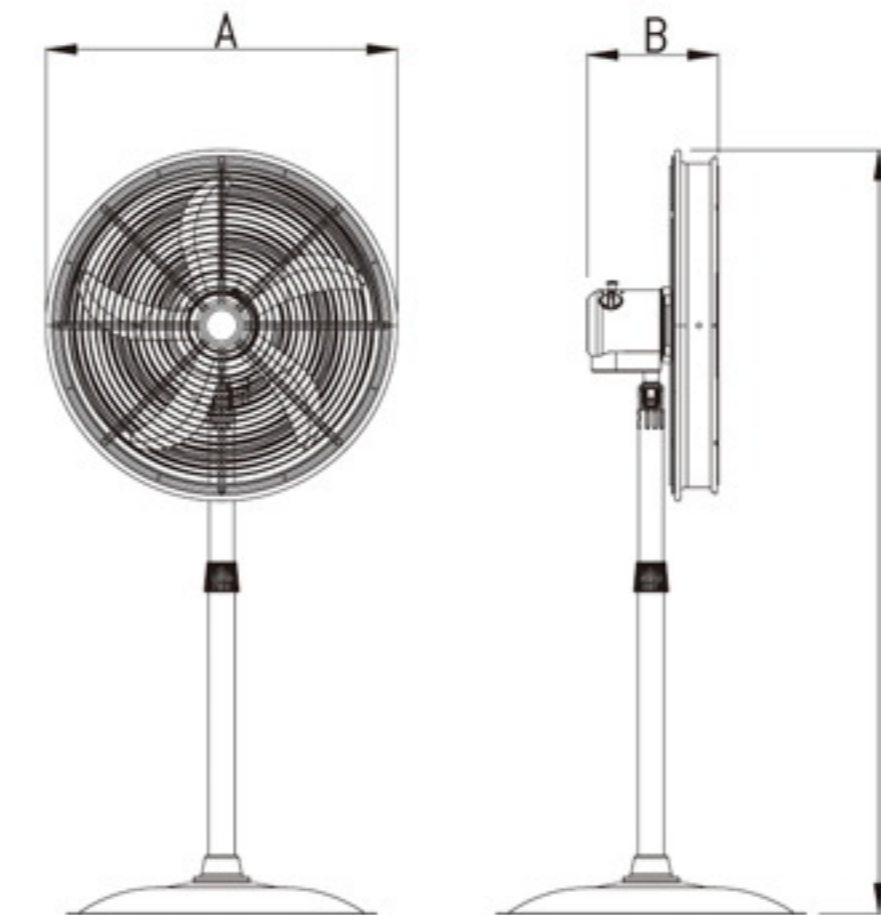


HIGH VELOCITY FANS

STAND FANS

Product Description:

We provide full set of high velocity fan, such as stand fan, floor fan, oscillating floor/wall fan and drum fan. All velocity fans come with elegant metal appearances and quality motors. The largest air volume can go up to 7500m³/h, which is the ideal option in high humidity and temperature circumstances. This fan also provide brushless DC options, which to provide high efficiency to the fan.



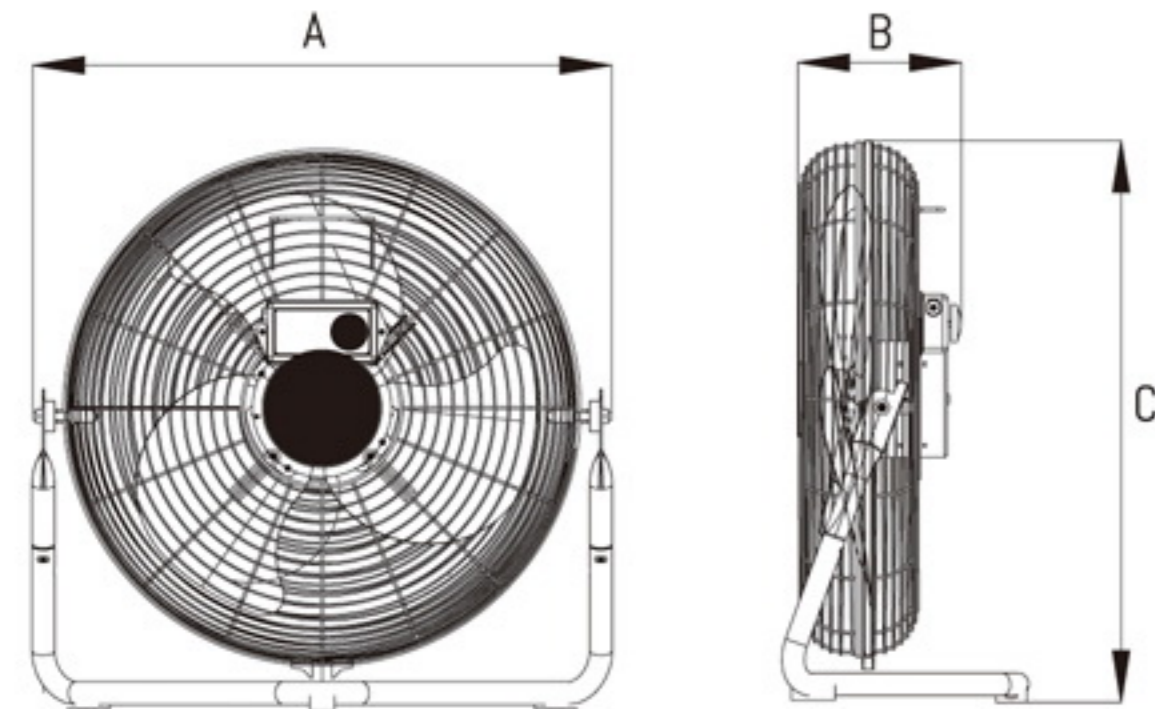
Product Parameters:

Model	Voltage (V)	Hertz (Hz)	Current (A)	Input Power (W)	Rotation (RPM)	Capacitor (μF)	Air Volumn (m ³ /h)	Size		
								A(mm)	B(mm)	C(mm)
SF-16/A	230	50	0.217	50	1150	1.5	880	450	450	1180
SF-16/B	230	50	0.217	50	1150	1.5	880	450	450	1180

FLOOR FANS

Product Description:

We provide full set of high velocity fan, such as stand fan, floor fan, oscillating floor/wall fan and drum fan. All velocity fans came with elegant metal appearances and quality motors. The largest air volume can go up to 7500m³/h, which is the ideal option in high humidity and temperature circumstances. This fan also provide brushless DC options, which to provide high efficiency to the fan.



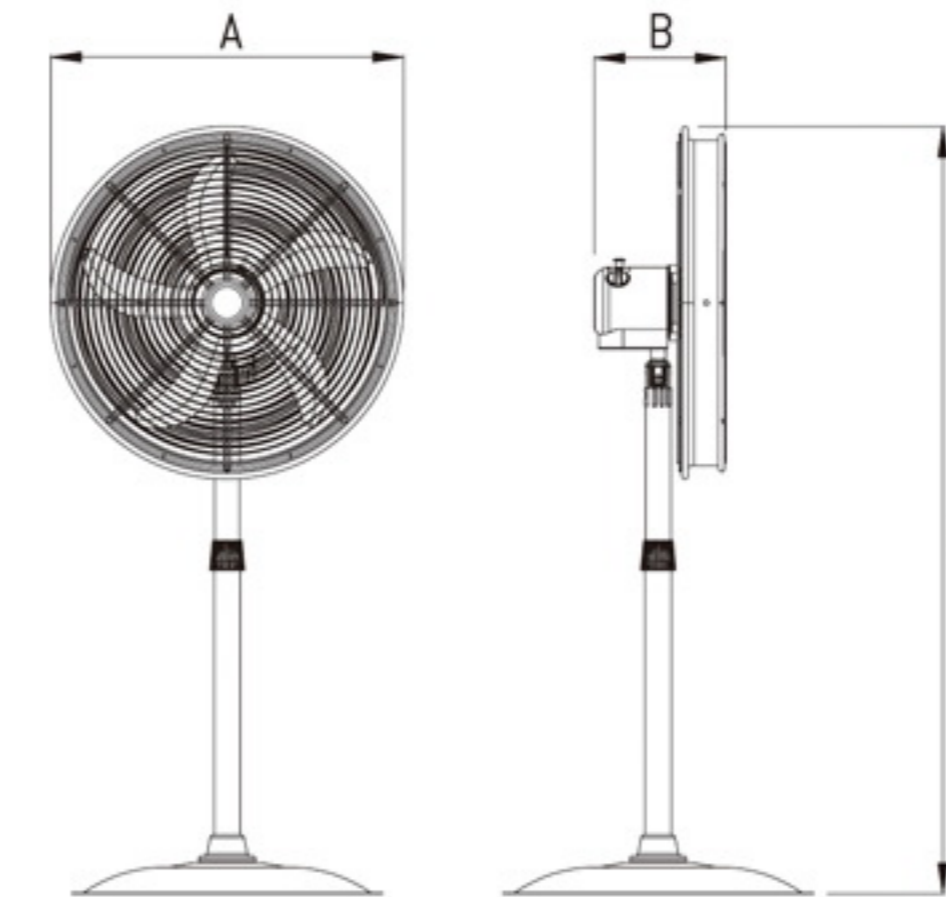
Product Parameters:

Model	Voltage (V)	Hertz (Hz)	Current (A)	Input Power (W)	Rotation (RPM)	Capacitor (μF)	Air Volumn (m ³ /h)	Size		
								A(mm)	B(mm)	C(mm)
HVFF-35S1-A	120	60	0.542	65	1500	5	1050	450	200	490
HVFF-35S1-B	220	60	0.295	65	1500	2	1050	450	200	490
HVFF-35S1-C	230	50	0.283	65	1300	1.5	1050	450	200	490
HVFF-40C	230	50	0.37	85	1300	2.5	1500	500	200	520
HVFF-45C-A	120	60	1	120	1500	8	1800	550	200	550
HVFF-45C-B	230	50	0.522	120	1300	2.5	1800	550	200	550
HVFF-45C-C	120	60	1	120	1500	8	1800	550	200	550
HVFF-50-A	120	60	1.083	130	1500	6.5	2500	600	270	600
HVFF-50S-B	120	60	1.25	150	1500	6.5	2500	600	270	600
HVFF-50S-C	230	50	0.522	120	1300	2.5	2500	600	270	600
HVFF-50S-D	220	60	0.682	150	1500	2.5	2500	600	270	600
HVFF-50S-F	230	50	0.652	150	1300	2.5	2200	600	270	600
HVFF-55	120	60	1.45	170	1500	6.5	3000	650	270	650

DRUM STAND FANS

Product Description:

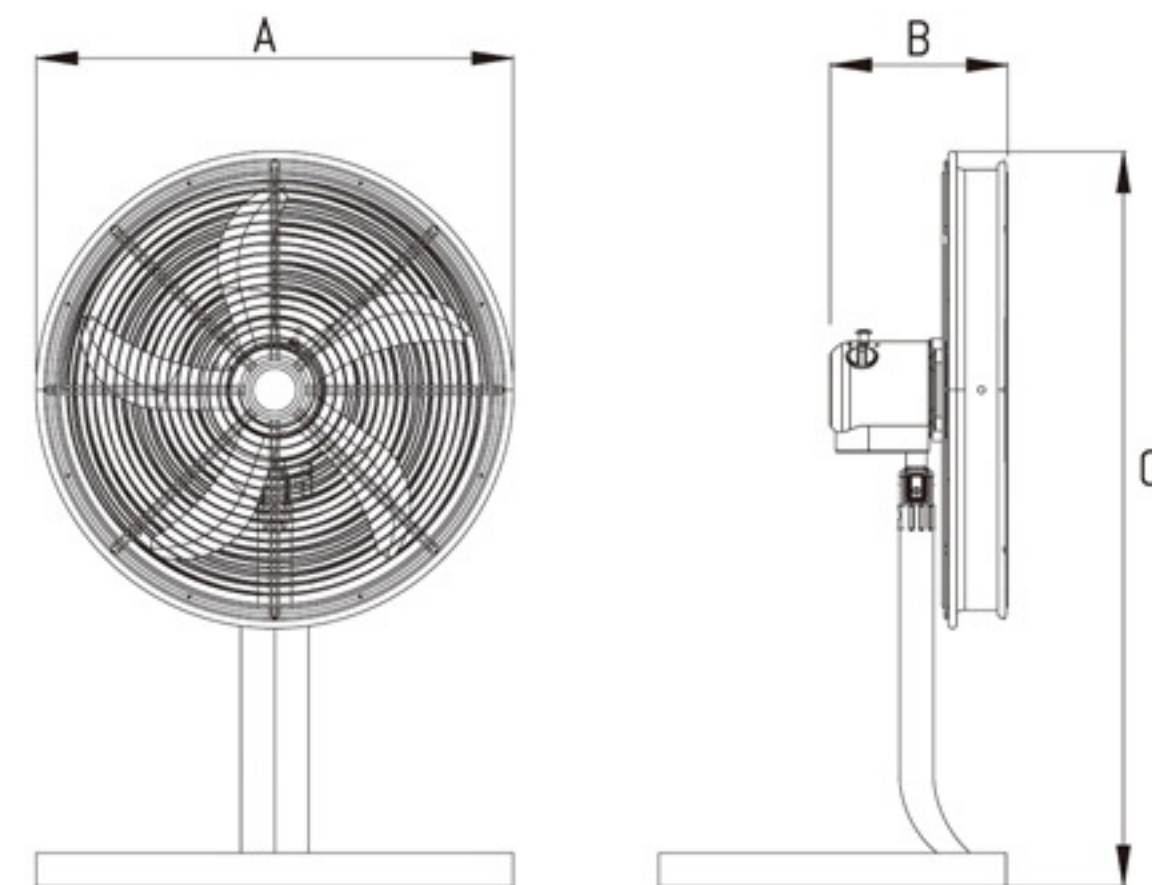
We provide full set of high velocity fan, such as stand fan, floor fan, oscillating floor/wall fan and drum fan. All velocity fans came with elegant metal appearances and quality motors. The largest air volume can go up to 7500m³/h, which is the ideal option in high humidity and temperature circumstances. This fan also provide brushless DC options, which to provide high efficiency to the fan.



Product Parameters:

Model	Voltage (V)	Hertz (Hz)	Current (A)	Input Power (W)	Rotation (RPM)	Capacitor (μF)	Air Volumn (m ³ /h)	Size		
								A(mm)	B(mm)	C(mm)
HVSF-35	230	50	0.52	120	1300	2.5	1050	510	510	1320
HVSF-40	230	50	0.52	120	1300	2.5	1500	510	510	1320
HVSF-45/C	230	50	0.52	120	1300	2.5	1800	520	520	1380
HVSF-45C-A	120	60	1.00	120	1500	8	1800	520	520	1380
HVSF-45C-B	230	50	0.52	120	1300	2.5	1800	520	520	1380
HVSF-50S-A	230	50	0.52	120	1300	2.5	2500	580	520	1380
HVSF-50S-B	120	60	1.25	150	1500	6.5	2500	580	520	1380
HVSF-50S-C	220	60	0.68	150	1500	2.5	2500	580	520	1380
HVSF-50S-D	230	50	0.52	120	1300	2.5	2200	580	520	1380
HVSF-55C	240	50	0.50	120	1300	2.5	2200	620	540	1380
HVSF-65	220-240	50	1.4	280	1300	4	3500	700	540	1650
HVSF-75	120	60	2.1	210	1300	15	4000	830	680	1900

OSCILLATING FLOOR FAN



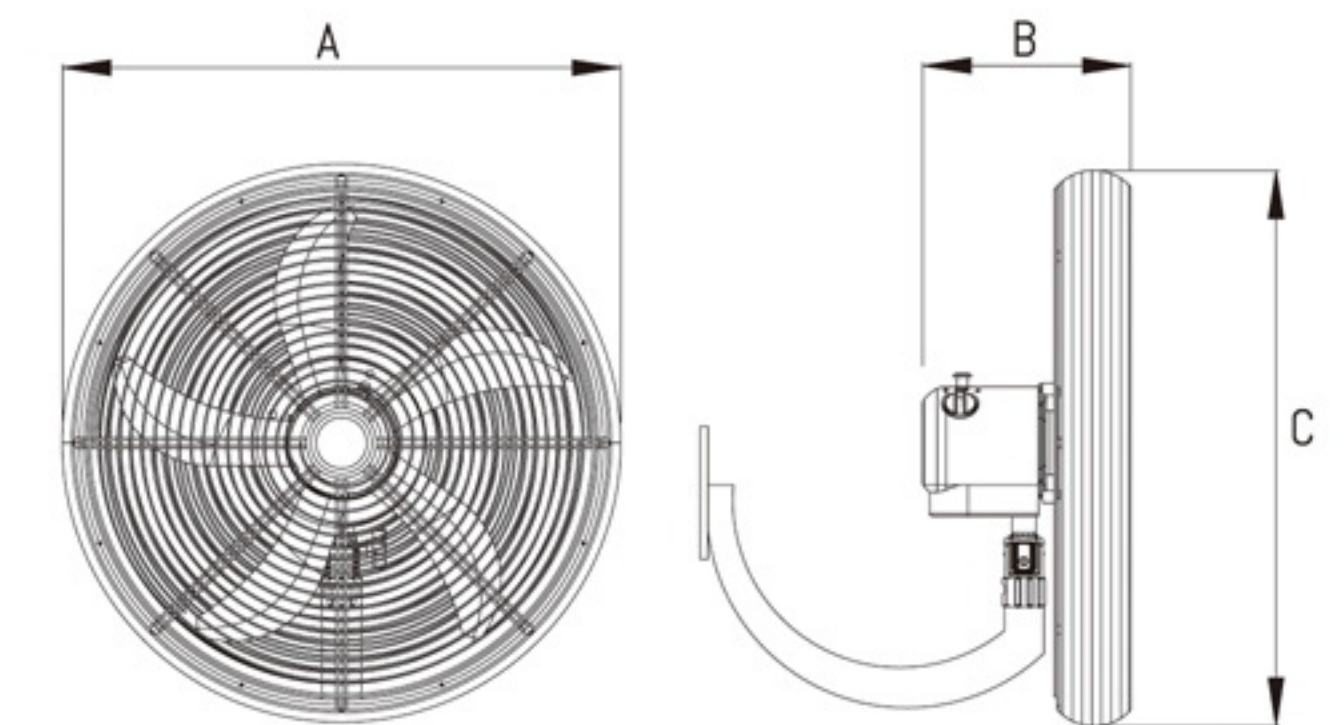
Product Description:

We provide full set of high velocity fan, such as stand fan, floor fan, oscillating floor/wall fan and drum fan. All velocity fans came with elegant metal appearances and quality motors. The largest air volume can go up to 7500m³/h, which is the ideal option in high humidity and temperature circumstances. This fan also provide brushless DC options, which to provide high efficiency to the fan.

Product Parameters:

Model	Voltage (V)	Hertz (Hz)	Current (A)	Input Power (W)	Rotation (RPM)	Capacitor (μF)	Air Volumn (m ³ /h)	Size		
								A(mm)	B(mm)	C(mm)
HVOFF-45B	220~240	50	0.52	120	1300	2.5	1800	500	250	550
HVOFF-35	230	50	0.52	120	1300	2.5	1050	440	250	440
HVOFF-40	230	50	0.52	120	1300	2.5	1500	460	250	480

OSCILLATING WALL FANS



Product Description:

We provide full set of high velocity fan, such as stand fan, floor fan, oscillating floor/wall fan and drum fan. All velocity fans came with elegant metal appearances and quality motors. The largest air volume can go up to 7500m³/h, which is the ideal option in high humidity and temperature circumstances. This fan also provide brushless DC options, which to provide high efficiency to the fan.

Product Parameters:

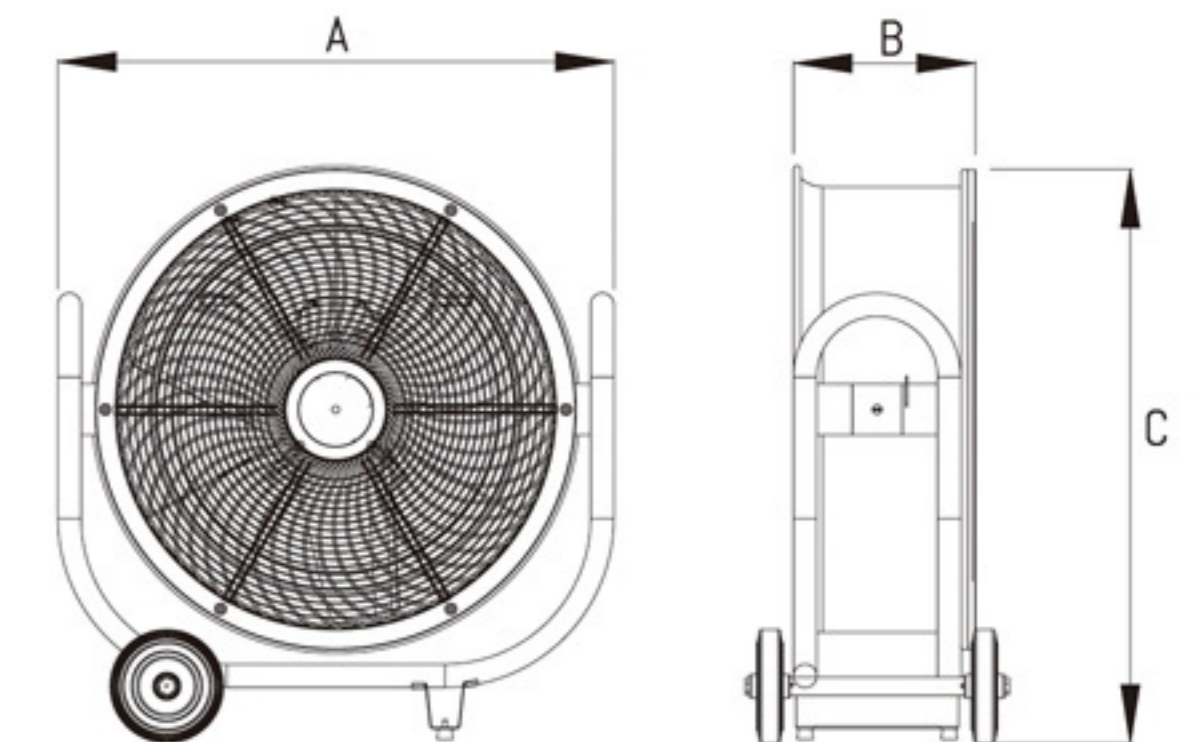
Model	Voltage (V)	Hertz (Hz)	Current (A)	Input Power (W)	Rotation (RPM)	Capacitor (μF)	Air Volumn (m ³ /h)	Size		
								A(mm)	B(mm)	C(mm)
HVOWF-40	230	50	0.52	120	1300	2.5	1500	450	300	450
HVOWF-45	230	50	0.52	120	1300	2.5	1500	500	300	450

DRUM FANS



Product Description:

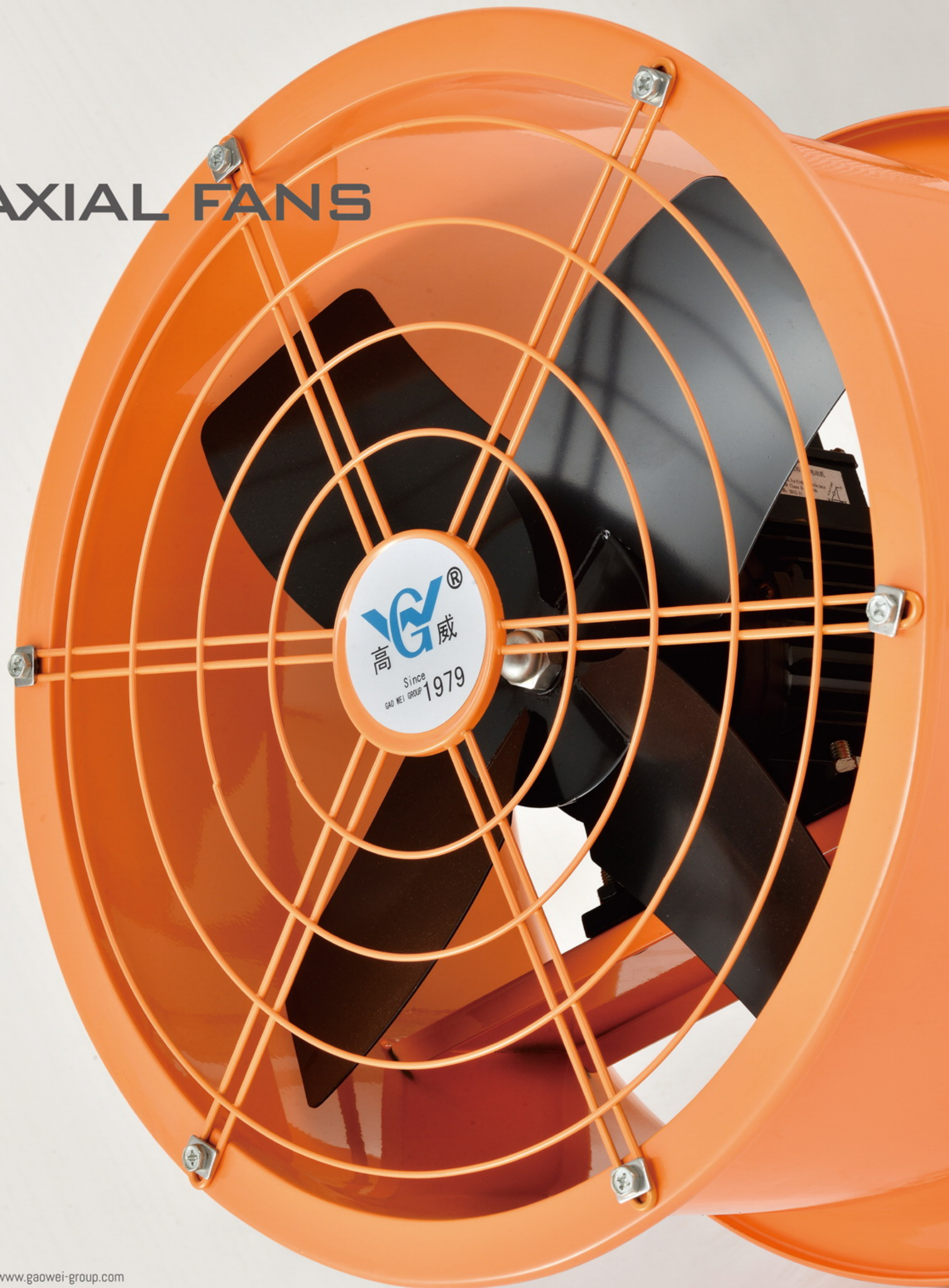
We provide full set of high velocity fan, such as stand fan, floor fan, oscillating floor/wall fan and drum fan. All velocity fans came with elegant metal appearances and quality motors. The largest air volume can go up to 7500m³/h, which is the ideal option in high humidity and temperature circumstances. This fan also provide brushless DC options, which to provide high efficiency to the fan.



Product Parameters:

Model	Voltage (V)	Hertz (Hz)	Current (A)	Input Power (W)	Rotation (RPM)	Capacitor (μF)	Air Volumn (m ³ /h)	Size		
								A(mm)	B(mm)	C(mm)
HVDF-24C	120	60	2.08	250	1050	10	3500	770	310	760
HVDF-30C	120	60	2.92	350	1050	15	4700	880	280	910
HVDF-36C	120	60	3.33	400	1050	30	5500	1030	280	1050
HVDF42C	120	60	3.83	400	750	32	7500	1140	450	1140
HVDF-14DC	230	50	0.728	88.5	1505	/	4000	520	250	520
HVDF-24DC	230	50	1.48	187	2210	/	6000	770	310	760

AXIAL FANS

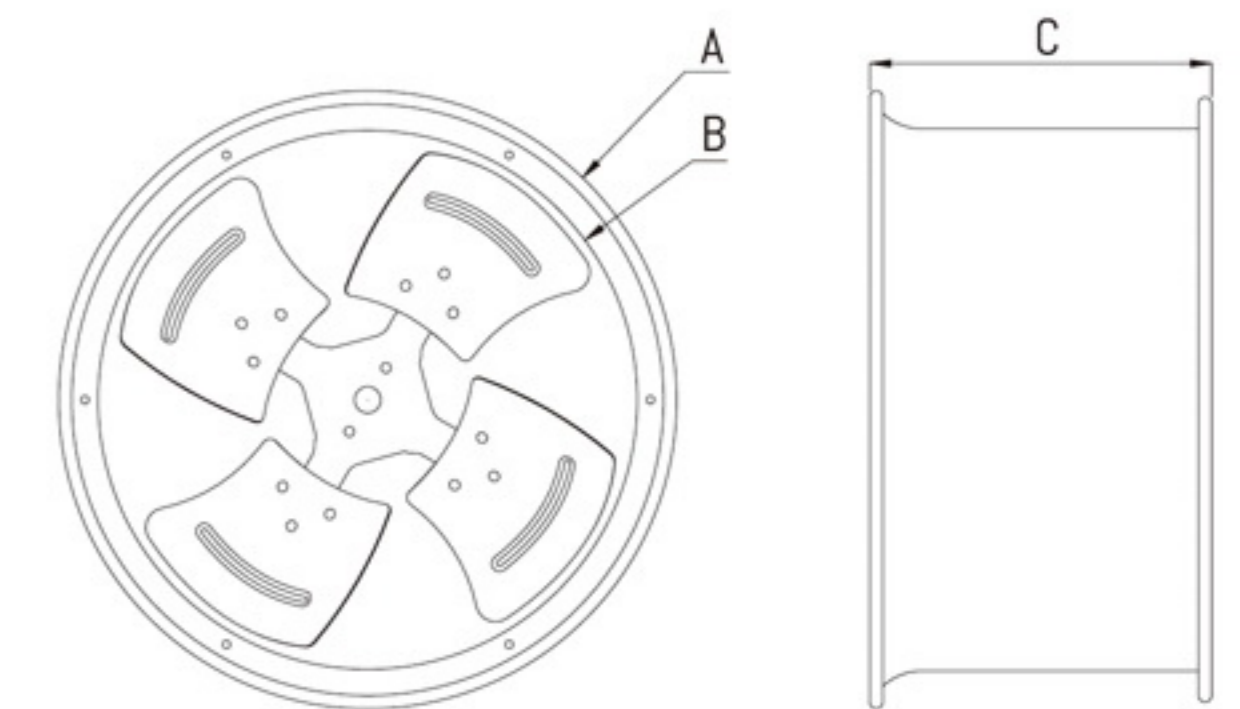


AXIAL FANS



Product Description:

Axial fans create large volume and low pressure of air flow and they are best suited for general purpose applications. The highest air volume can go up to 9000 m³/h. The outstanding features of the axial fans are they are at low noise level and exceptional efficiency.



Product Parameters:

Model	Voltage (V)	Hertz (Hz)	Current (A)	Input Power (W)	Rotation (RPM)	Capacitor (μF)	Air Volumn (m ³ /h)	Size		
								A(mm)	B(mm)	C(mm)
GFZ40A	220	50	1.343	300	1400	10	5200	Ø410	Ø470	Ø290
GFZ50A	220	50	1.77	450	1400	10	8500	Ø510	Ø570	Ø310
GFZ40B	220	50	0.76	200	1400	6.5	4300	Ø410	Ø470	Ø280
GFZ50B	220	50	0.76	250	1400	6.5	6300	Ø510	Ø570	Ø280
GFZ60B	220	50	1.78	400	1400	10	9000	Ø610	Ø670	Ø290



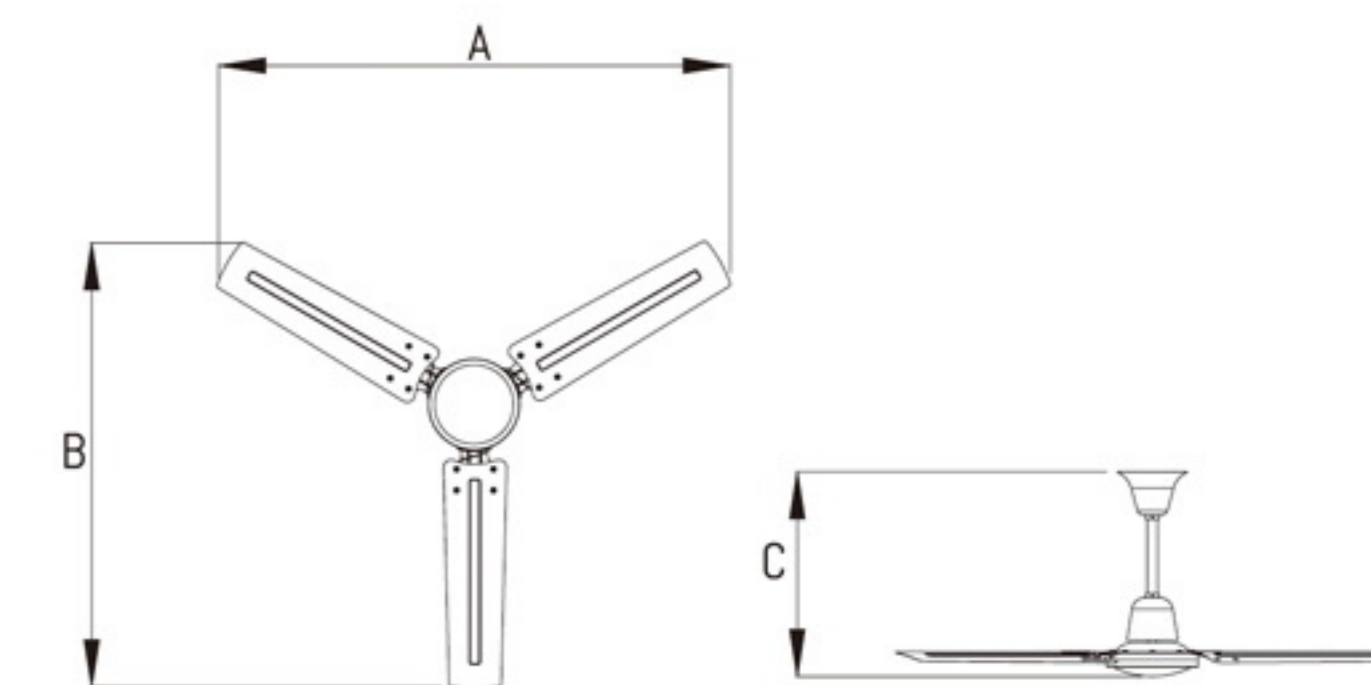
INDUSTRIAL CEILING FAN

INDUSTRIAL CEILING FAN



Product Description:

Industrial ceiling fans allows air circulation and cooling for residential, commercial and industrial application. The ceiling fans made of steel and capacitor motor. The air flow helps for reliable cooling and enhance comfort in the humid and hot area. The painting options provide more corrosion resistance and long lasting durability to the fan.



Product Parameters:

Model	Voltage (V)	Hertz (Hz)	Current (A)	Input Power (W)	Rotation (RPM)	Capacitor (μF)	Air Volume (m ³ /h)	Size		
								A(mm)	B(mm)	C(mm)
CFI-363	240	50	0.222	48.2	360	3+6	3000	914	914	380
CFI-483	240	50	0.292	62.5	320	9	4000	1219	1219	380
CFI-483	230	50	0.223	47.4	315	1.5	4000	1219	1219	380
CFI-563	240	50	0.292	62.5	280	9	5000	1422	1422	380
CFI-563	230	50	0.263	60	320	2	5000	1422	1422	380
CFI-523	240	50	0.25	60	300	2/4+2	4800	1320	1320	380

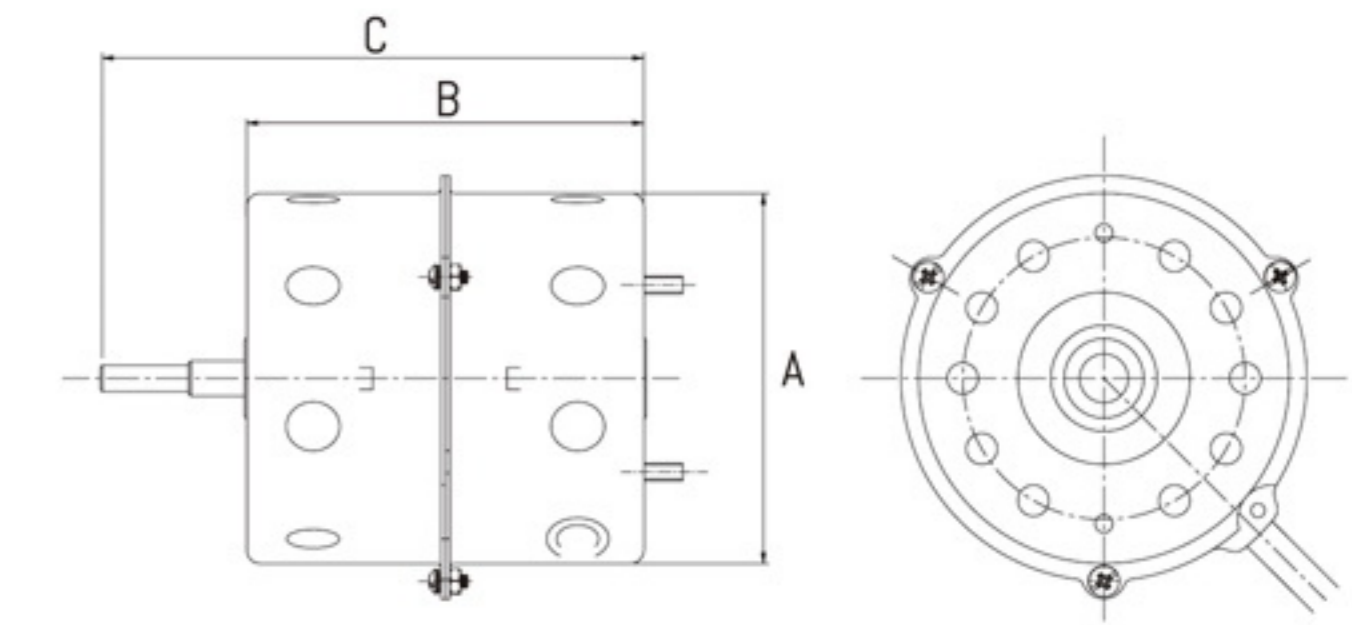
MOTORS

Since 1983, Gaowei have committed to develop and produce motor for ventilation applications and all other usage applications. Currently we have products of brushless DC motor, external rotor motor, capacitor motor, shade pole motors and ceiling fan motor etc. we have started our research in brushless DC motor for years and the first production started at 2013, as we saw the trend of EC motor in the world and also the technical advantages of BLDC over other traditional motor solution, which is higher speed, low noise, high power, electronic control, provide high efficiency to the applications and to helps for energy saving, and long lasting durability. BLDC provides more efficient and energy saving solution to all residential, commercial and industrial applications, it is your ideal choice for your higher standard!

For other quality and more economical solution, please refer to the rest of the motors we produce. Please kindly note that different voltage, frequency and shaft elongation motors can be designed and produced according to customer requirements.

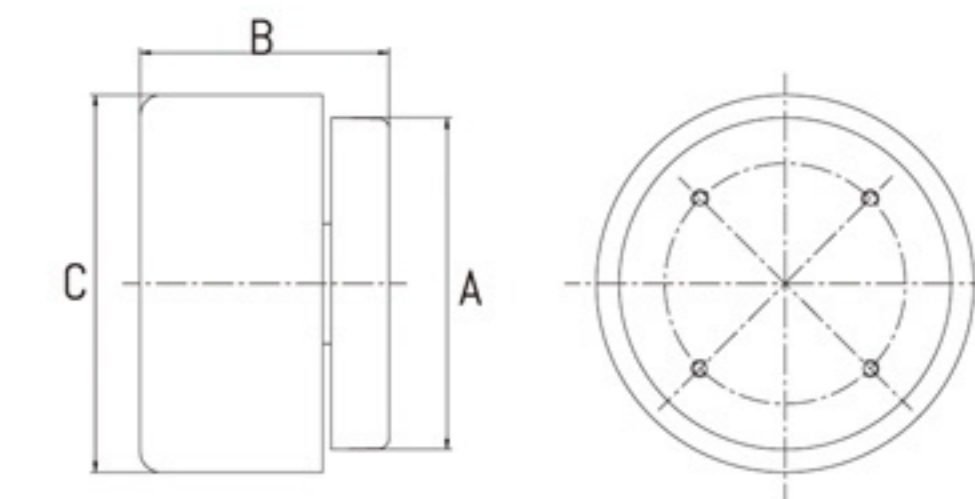


BRUSHLESS DC MOTOR



Product Parameters:

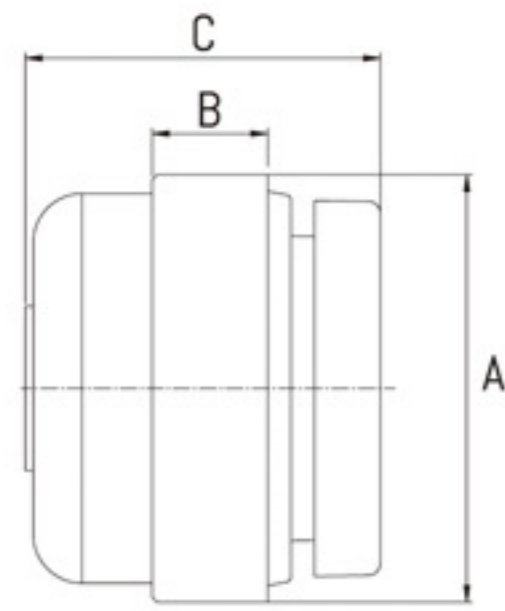
Model	Voltage (V)	Hertz (Hz)	Current (A)	Input Power (W)	Insulation Level	Size		
						A(mm)	B(mm)	C(mm)
DC8240-001	230	50	0.565	130	B	84	90	123
DC8230-001	230	50	0.478	110	F	84	90	123



Product Parameters:

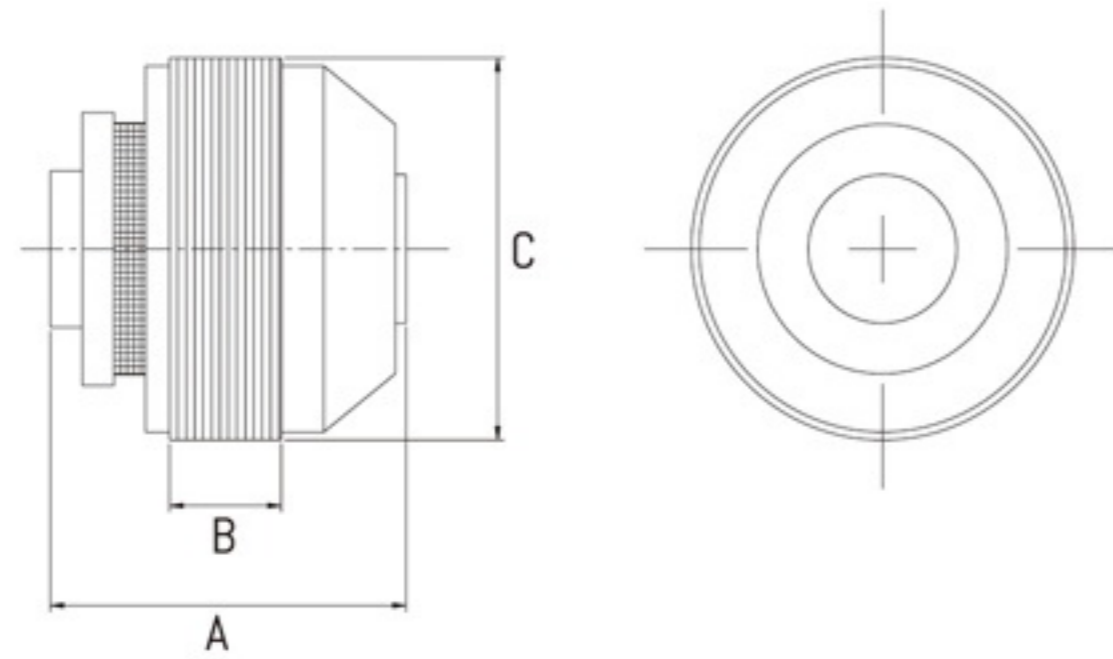
Model	Voltage (V)	Hertz (Hz)	Current (A)	Input Power (W)	Insulation Level	Size		
						A(mm)	B(mm)	C(mm)
DC9215-001	230	50	0.434	100	F	91	60	80
DC9225-001	230	50	0.651	150	F	91	60	80
DC9240-001	230	50	0.868	200	F	91	60	80
DC7113-001	230	50	0.217	50	F	91	60	80
DC7125-001	230	50	0.347	80	F	91	60	80
DC7130-001	230	50	0.434	100	F	91	60	80
DC18230-001	230	50	0.521	120	F	91	60	80
DC18260-001	230	50	1.085	250	F	91	60	80

EXTERNAL ROTOR MOTOR



Product Parameters:

Model	Voltage (V)	Hertz (Hz)	Current (A)	Input Power (W)	Capacitor (μF)	Insulation Level	Size		
							A(mm)	B(mm)	C(mm)
YWF9215-005	230	50	0.348	80	3	F	91	14.5	95
YWF9225-004	230	50	0.87	200	5	F	91	24.5	75.5
YWF9240-004	230	50	1.217	280	6.5	F	91	39.5	91



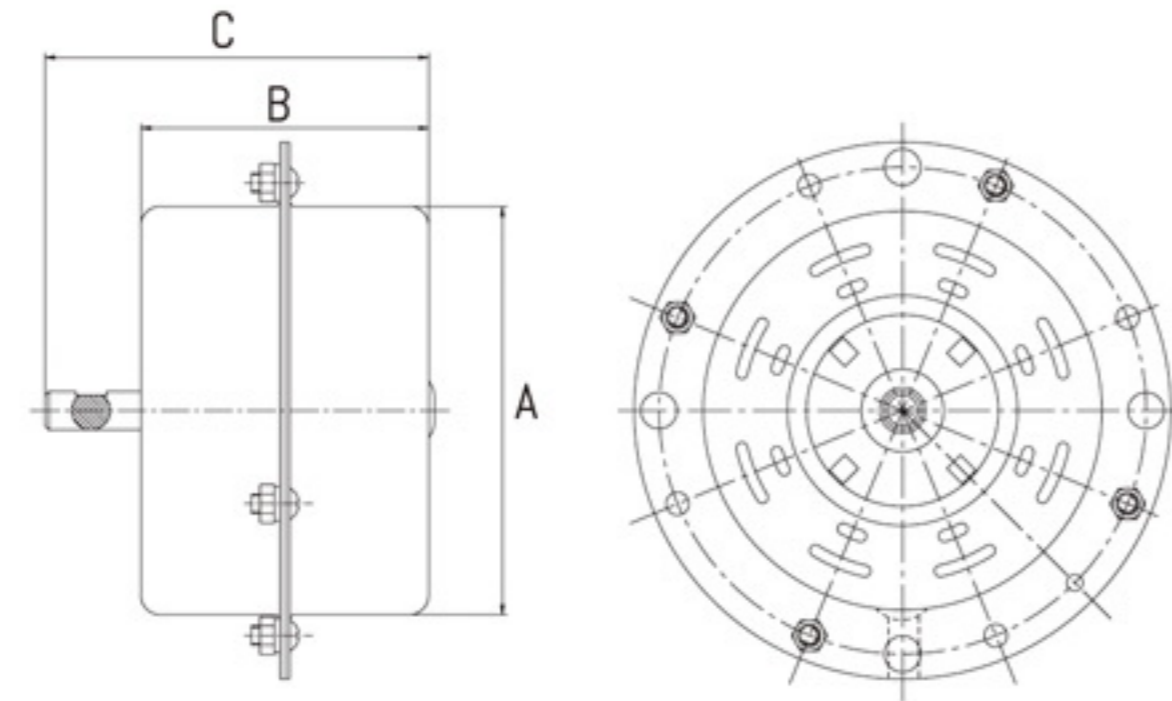
Product Parameters:

Model	Voltage (V)	Hertz (Hz)	Current (A)	Input Power (W)	Capacitor (μF)	Insulation Level	Size		
							A(mm)	B(mm)	C(mm)
YWF2003-001	230	50	0.399	91.2	2+3.5	F	68	21	72

CAPACITOR MOTOR

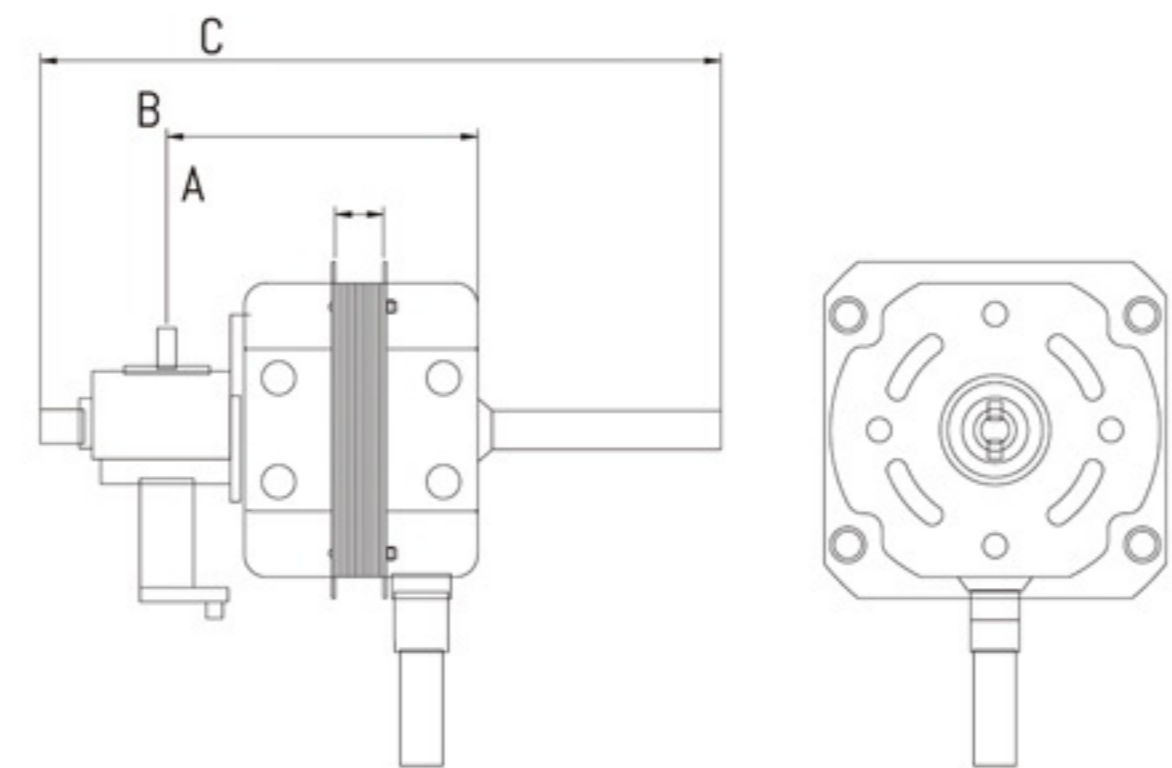


CAPACITOR MOTOR



Product Parameters:

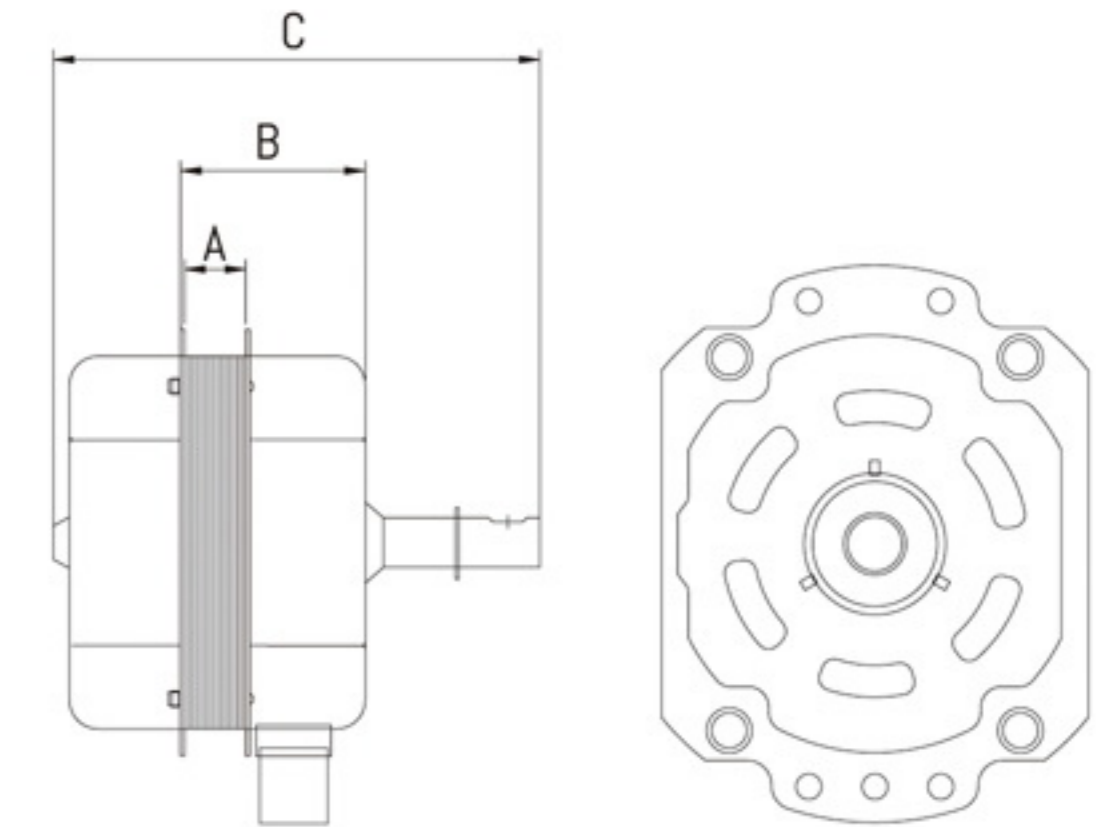
Model	Voltage (V)	Hertz (Hz)	Current (A)	Input Power (W)	Capacitor (μF)	Insulation Level	Size		
							A(mm)	B(mm)	C(mm)
YDF12040-031	230	50	1.087	250	6.5	B	123	120	152
YDF12060-014	100	50	3.5	350	20	B	123	120	152
YDF12060-004	120	50	1.25	150	12	B	106.4	70	100



Product Parameters:

Model	Voltage (V)	Hertz (Hz)	Current (A)	Input Power (W)	Capacitor (μF)	Insulation Level	Size		
							A(mm)	B(mm)	C(mm)
YSY-7113-001	220-240	50	0.14	35	1	B	13	84	195
YSY-7113-002	110-120	60	0.37	44	3	B	13	84	195
YSY-7115-001	220-240	50	0.17	40	1.2	B	15	87	210
YSY-7115-002	110-120	60	0.43	50	4	B	15	87	210
YSY-7117-001	220-240	50	0.26	50	1.5	B	17	90.5	210
YSY-7117-002	110-120	60	0.65	65	4	B	17	90.5	210

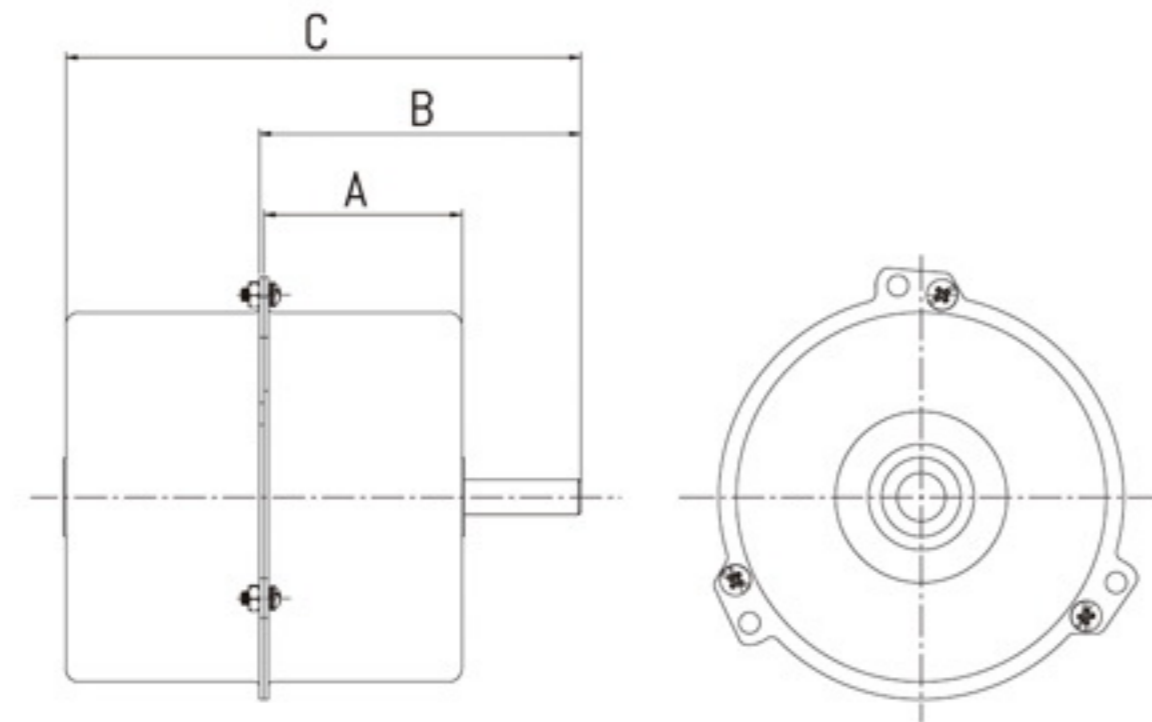
CAPACITOR MOTOR



Product Parameters:

Model	Voltage (V)	Hertz (Hz)	Current (A)	Input Power (W)	Capacitor (μF)	Insulation Level	Size		
							A(mm)	B(mm)	C(mm)
YSY-7114-001	220-240	50	0.229	50	1	B	14	34.8	74.5
YSY-7114-002	220-240	50	0.242	55	1	B	14	34.8	74.5
YSY-7114-004	110-120	60	0.426	47	4	B	14	34.8	74.5
YSY-7114-005	110-120	60	0.45	50	4	B	14	34.8	74.5
YSZ-7112-001	220-240	50	0.193	40	1	B	12	33.8	78.5
YSZ-7112-002	110-120	60	0.412	45	3	B	12	33.8	78.5
YSZ-7117-003	220-240	50	0.28	50	1.5	B	17	39	84
YSZ-7117-004	110-120	60	0.472	53	4	B	17	39	84

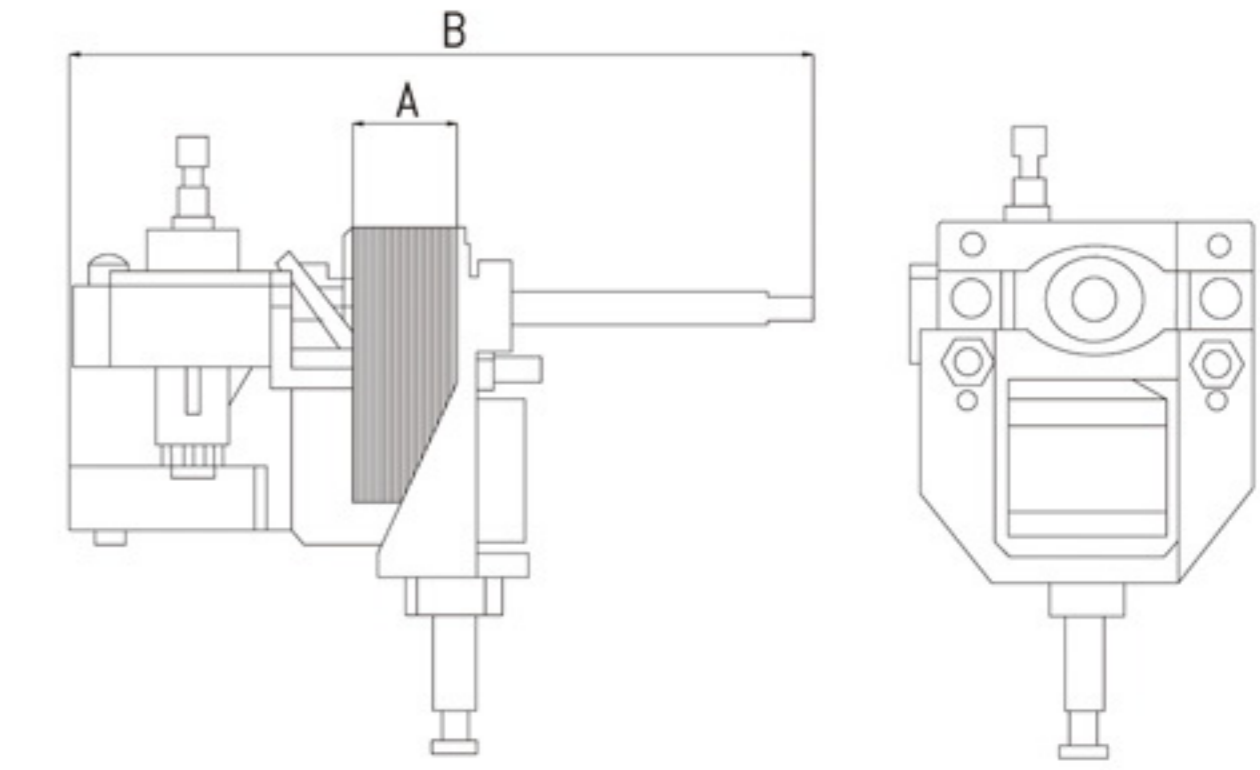
CAPACITOR MOTOR



Product Parameters:

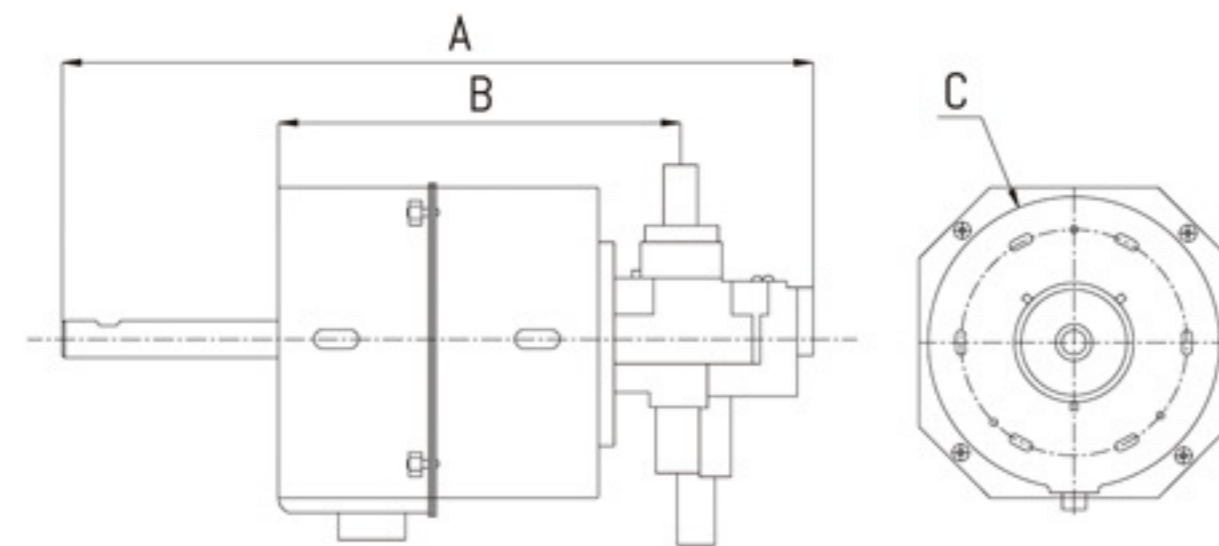
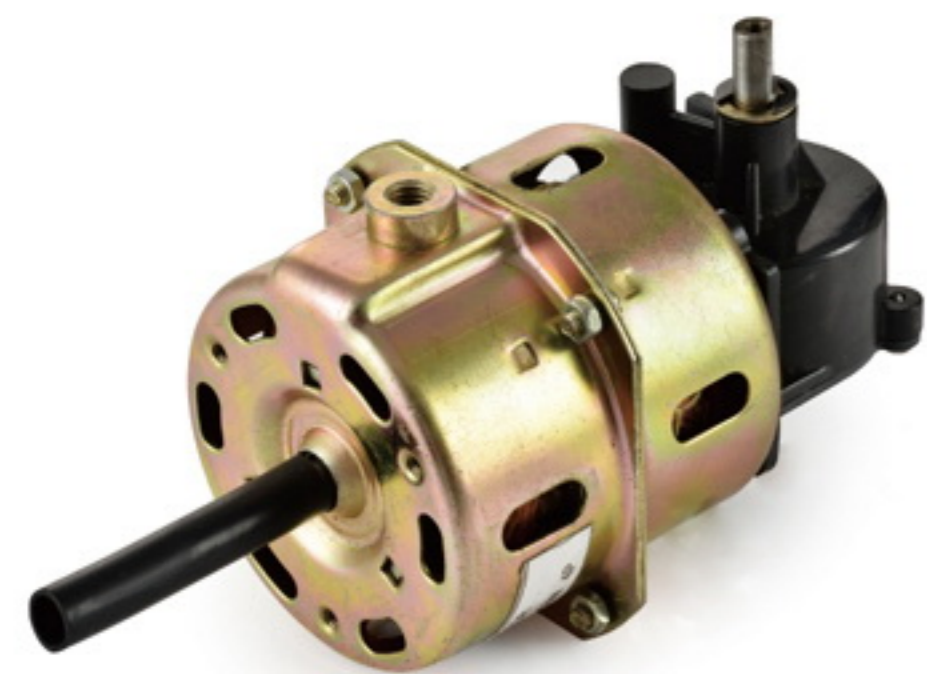
Model	Voltage (V)	Hertz (Hz)	Current (A)	Input Power (W)	Capacitor (μF)	Insulation Level	Size		
							A(mm)	B(mm)	C(mm)
YSZ-7313-001	220-240	50	0.131	26	1	B	76	50	27
YSZ-7313-002	110-120	60	0.242	26	2.5	B	76	50	27
YSZ-7318-001	220-240	50	0.1683	38	1	B	83.5	57.5	38
YSZ-7318-002	110-120	60	0.313	34	3	B	83.5	57.5	38
YSZ-7325-001	220-240	50	0.29	62	2	B	106	69	38
YSZ-7325-002	110-120	60	0.55	60	3.5	B	106	69	38

CAPACITOR MOTOR



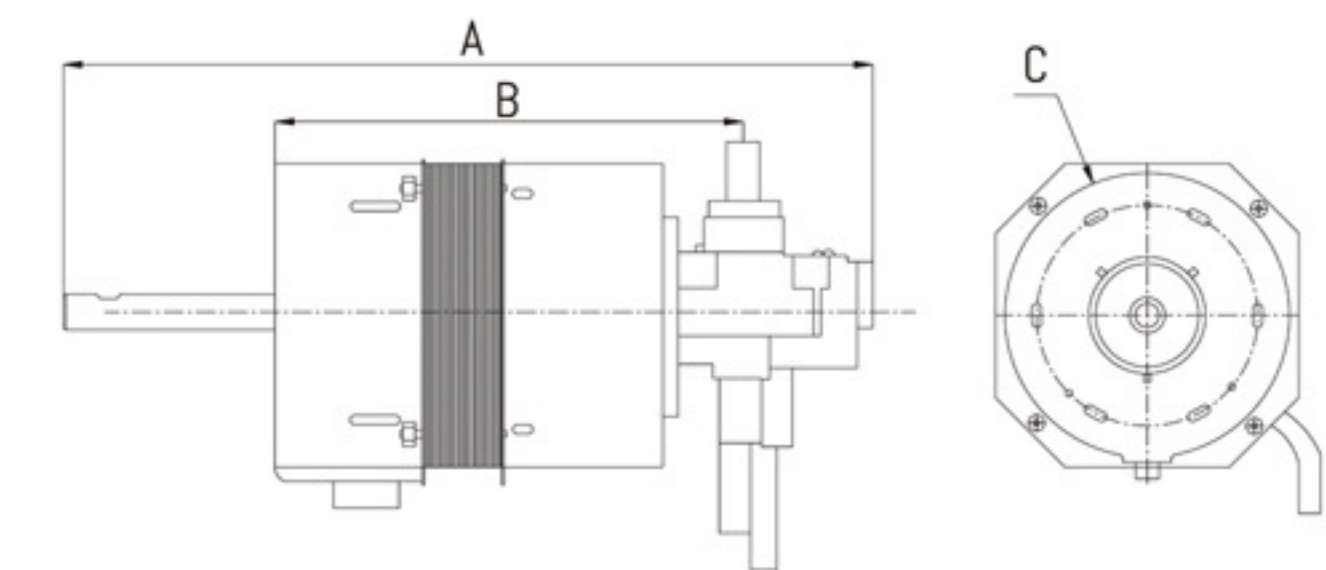
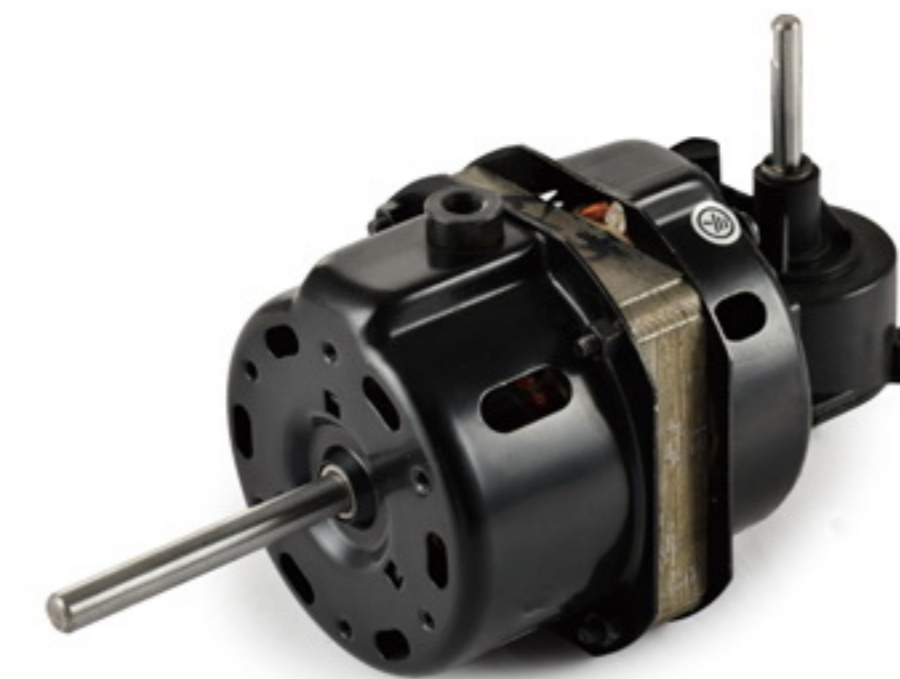
Product Parameters:

Model	Voltage (V)	Hertz (Hz)	Current (A)	Input Power (W)	Capacitor (μF)	Insulation Level	Size		
							A(mm)	B(mm)	C(mm)
YSF-6315-001	220-240	50	0.21	25	/	B	15	140	/
YSF-6315-002	110-120	60	0.36	24	/	B	15	140	/
YZF-6318-001	220-240	50	0.25	29	/	B	18	145	/
YZF-6318-002	110-120	60	0.48	27	/	B	18	145	/
YZF-6320-001	220-240	50	0.35	33	/	B	20	150	/
YZF-6320-002	110-120	60	0.7	33	/	B	20	150	/



Product Parameters:

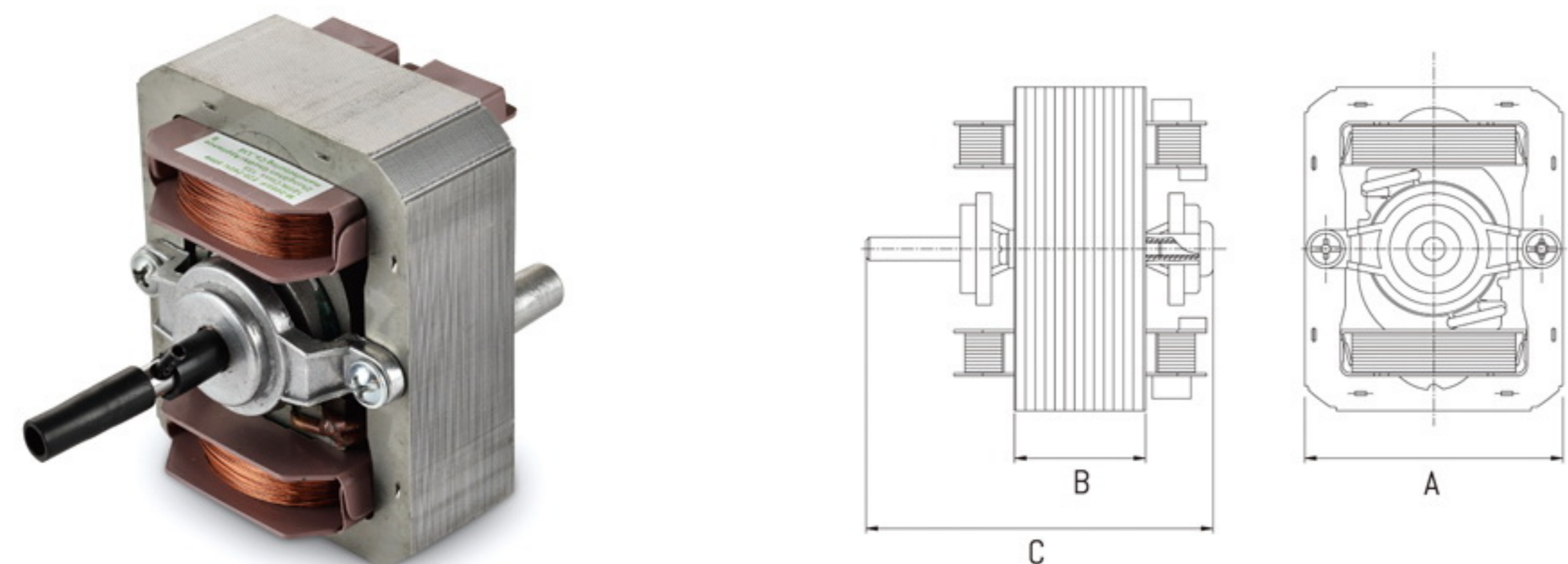
Model	Voltage (V)	Hertz (Hz)	Current (A)	Input Power (W)	Capacitor (μF)	Insulation Level	Size		
							A(mm)	B(mm)	C(mm)
YSY-7012-001	220-240	50	0.099	22	0.68	B	92.5	170	Ø72
YSY-7012-002	110-120	60	0.231	21	1.2	B	92.5	170	Ø72
YSY-7020-001	220-240	50	0.142	32	1	B	92.5	170	Ø72
YSY-7020-002	110-120	60	0.355	33	2	B	92.5	170	Ø72



Product Parameters:

Model	Voltage (V)	Hertz (Hz)	Current (A)	Input Power (W)	Capacitor (μF)	Insulation Level	Size		
							A(mm)	B(mm)	C(mm)
YSY-7518-001	220-240	50	0.184	38	1.5	B	18	76	200
YSY-7518-002	110-120	60	0.361	39	5	B	18	76	200
YSY-7522-001	220-240	50	0.196	43	1.5	B	22	80	205
YSY-7522-002	110-120	60	0.38	42	5	B	22	80	205

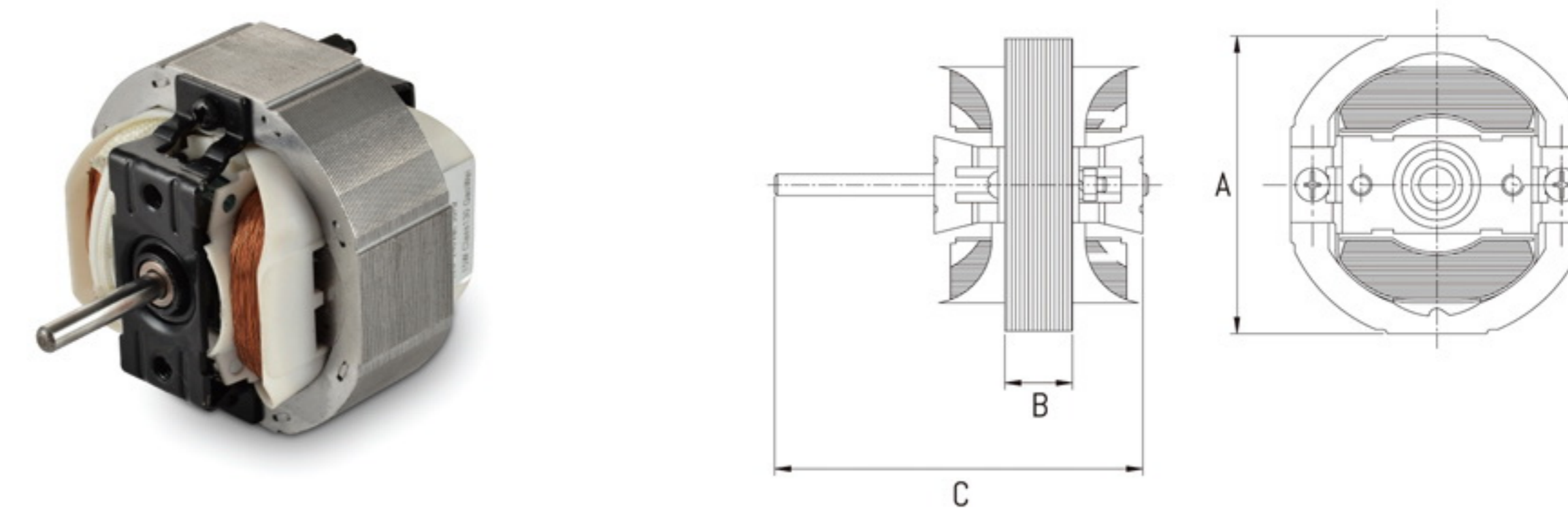
SHADED POLE MOTOR (HOOD MOTOR)



Product Parameters:

Model	Voltage (V)	Hertz (Hz)	Current (A)	Input Power (W)	Insulation Level	Poles (P)	Size		
							A(mm)	B(mm)	C(mm)
YZF8424-061	220	60	0.432	95	B	2	67	24.5	76
YZF8424-053	220-240	50	0.432	95	F	2	67	24.5	76
YZF8424-052	220-240	50	0.432	95	F	2	67	24.5	76
YZF8424-044	220-240	50	0.432	95	B	2	67	24.5	76
YZF8424-062	220	60	0.432	95	B	2	67	24.5	76
YZF8424-043	220-240	50	0.432	95	B	2	67	24.5	76
YZF8424-063	220	60	0.432	95	B	2	67	24.5	76
YZF8434-022	220-240	50	0.52	125	F	2	67	34	90
YZF8434-002	220-240	50	0.52	125	B	2	67	34	90
YZF8434-004	127	60	0.984	125	B	2	67	34	90
YZF8434-013	220	50	0.096	21	B	2	67	34	90
YZF8434-015	110	60	1.136	125	B	2	67	34	90
YZF8434-020	220	60	0.568	125	B	2	67	34	90
YZF8434-056	220	60	0.568	125	F	2	67	34	90
YZF8434-021	220-240	50	0.52	125	F	2	67	34	90
YZF8434-001	220-240	50	0.52	125	B	2	67	34	90
YZF8434-003	127	60	0.984	125	B	2	67	34	90
YZF8434-012	220	50	0.096	21	B	2	67	34	90
YZF8434-014	110	60	1.136	125	B	2	67	34	90
YZF8434-019	220	60	0.568	125	B	2	67	34	90
YZF8434-055	220	60	0.568	125	F	2	67	34	90

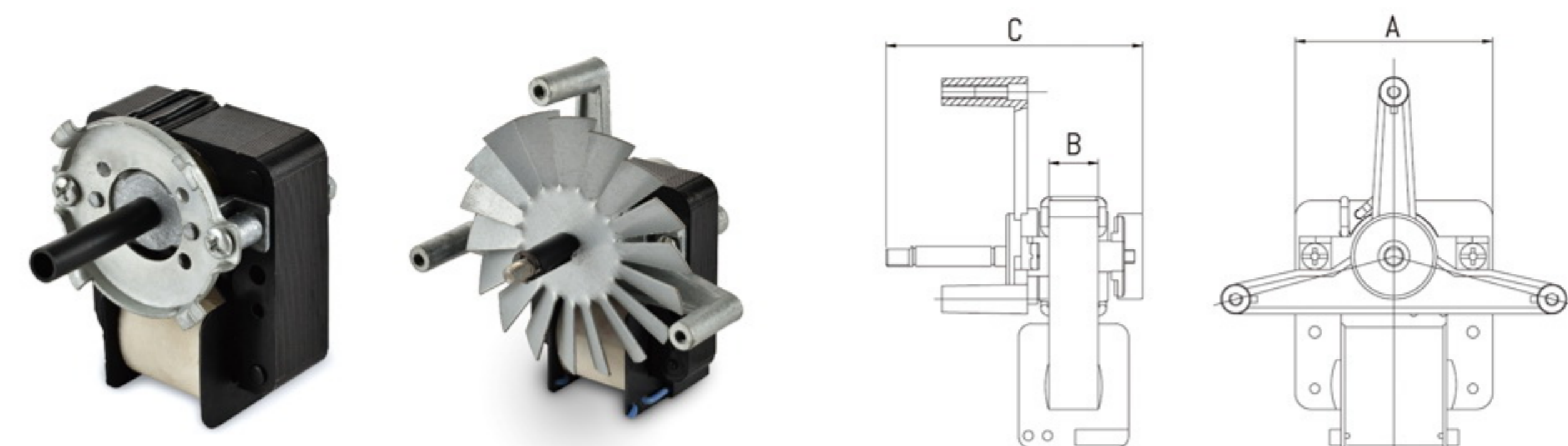
SHADED POLE MOTOR (HEATER MOTOR)



Product Parameters:

Model	Voltage (V)	Hertz (Hz)	Current (A)	Input Power (W)	Insulation Level	Poles (P)	Size		
							A(mm)	B(mm)	C(mm)
YSY-7518-001	220-240V	50	9	2000	B	2	55	12.5	68
YSY-7518-002	220V	60	0.2	25	B	2	55	55	68
YSY-7522-001	110-120V	50	0.4	25	B	2	55	55	68
YSY-7522-002	220-240V	60	0.2	25	B	2	55	55	68

SHADED POLE MOTOR (OVEN MOTOR)



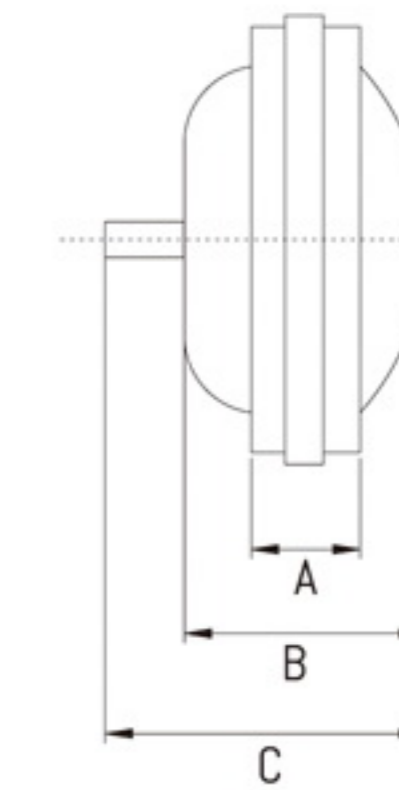
Product Parameters:

Model	Voltage (V)	Hertz (Hz)	Current (A)	Input Power (W)	Insulation Level	Poles (P)	Size		
							A(mm)	B(mm)	C(mm)
YZF6315-003	220-240	50	0.081	10	H	2	60	15	78
YZF6315-004	110-120	60	0.17	10	H	2	60	15	78
YZF6320-003	220-240	50	0.2	25	H	2	60	20	78
YZF6320-004	110-120	60	0.41	25	H	2	60	20	78

CEILING FAN MOTOR

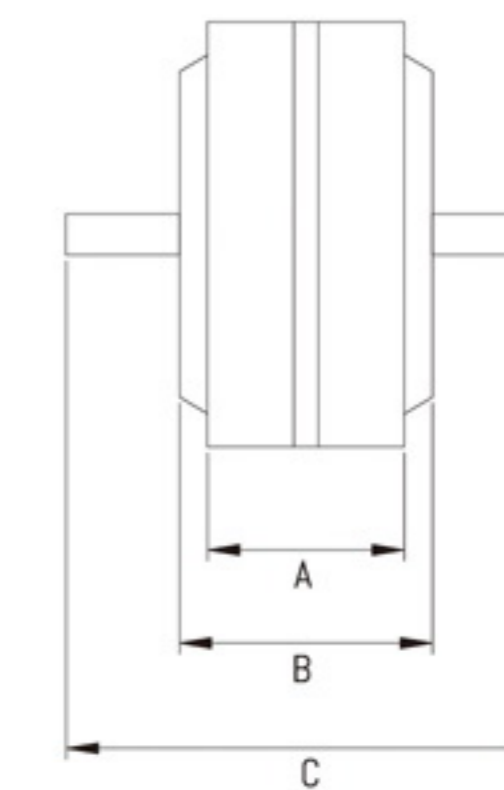


CEILING FAN MOTOR



Product Parameters:

Model	Voltage (V)	Hertz (Hz)	Current (A)	Input Power (W)	Rotation (RPM)	Poles (P)	Capacitor (μF)	Insulation Level	Size		
									A(mm)	B(mm)	C(mm)
GFI-56	220-240	50	0.281	62	195	16	1	B	32.5	77	104
GFI-52	110-140	60	0.521	63	235	16	1.2	B	32.5	77	104



Product Parameters:

Model	Voltage (V)	Hertz (Hz)	Current (A)	Input Power (W)	Rotation (RPM)	Poles (P)	Capacitor (μF)	Insulation Level	Size		
									A(mm)	B(mm)	C(mm)
GFC-42	220-240	50	0.191	45	175	16	0.8	B	40.5	60.5	118
GFC-52	220-240	50	0.233	55	180	16	0.8	B	44.5	64.5	118
GFC-42	110-120	60	0.333	45	190	16	1	B	40.5	60.5	118
GFC-52	110-120	60	0.421	55	200	16	1	B	44.5	64.5	118

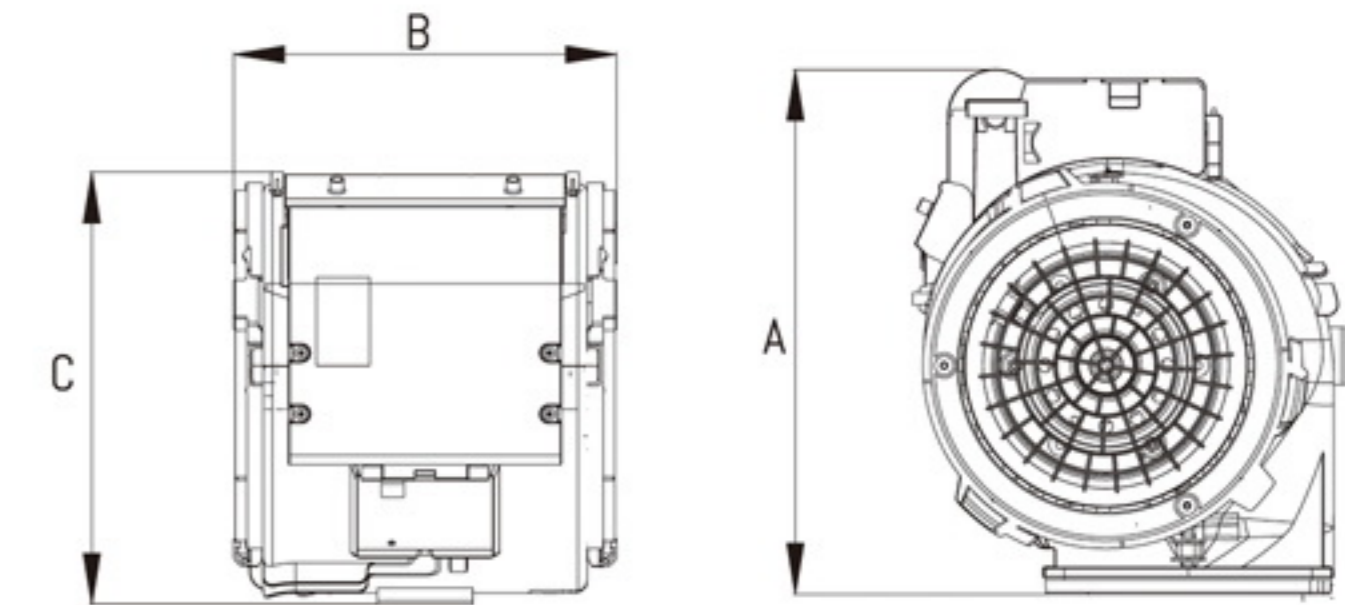
OTHER COMPONENTS

Air Chamber

The HB-01 air chamber comes with a brushless motor, 2 plastic impellers and a plastics blower. The HB-02 and HB-03 air chamber comes with a brushless motor, a plastic impellers and a plastics blower. All this three chambers are adopted in hood products, we could designed and produced different voltage, frequency and shaft elongation motors, different impeller and different blower according to your requirements.

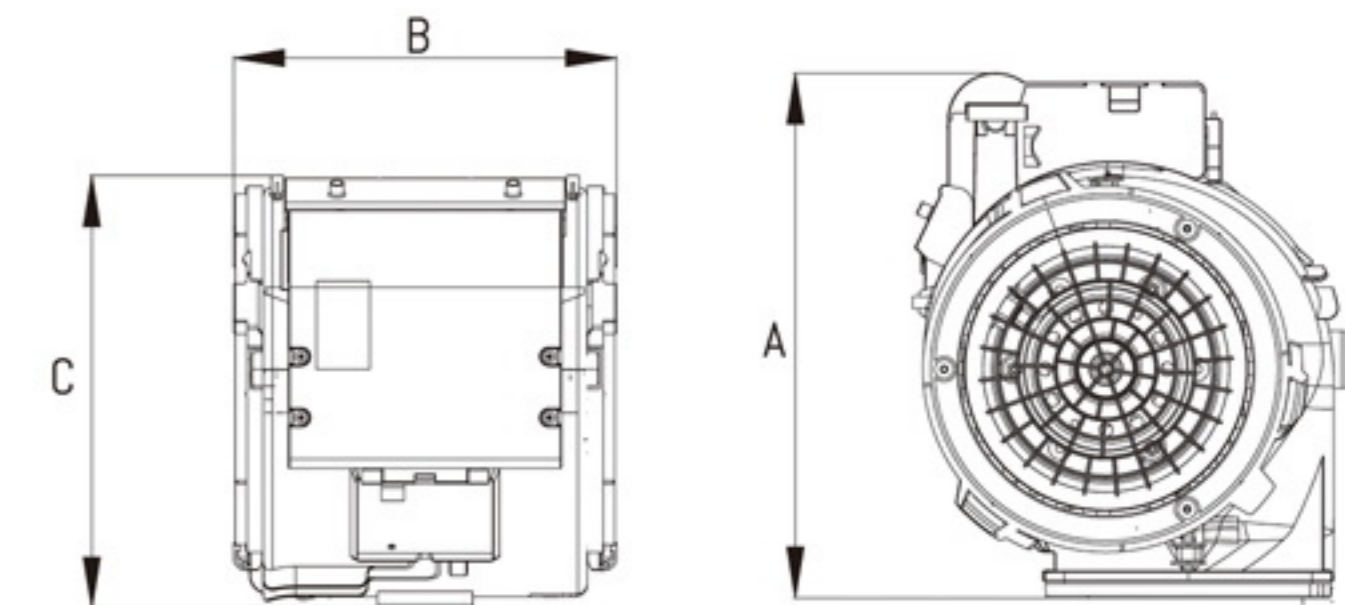


AIR CHAMBER



Product Parameters:

Model	Voltage (V)	Hertz (Hz)	Current (A)	Input Power (W)	Rotation (RPM)	Insulaton Level	Size		
							A(mm)	B(mm)	C(mm)
HB-01	220-240	50	1.29	185	2119	F	275	200	230



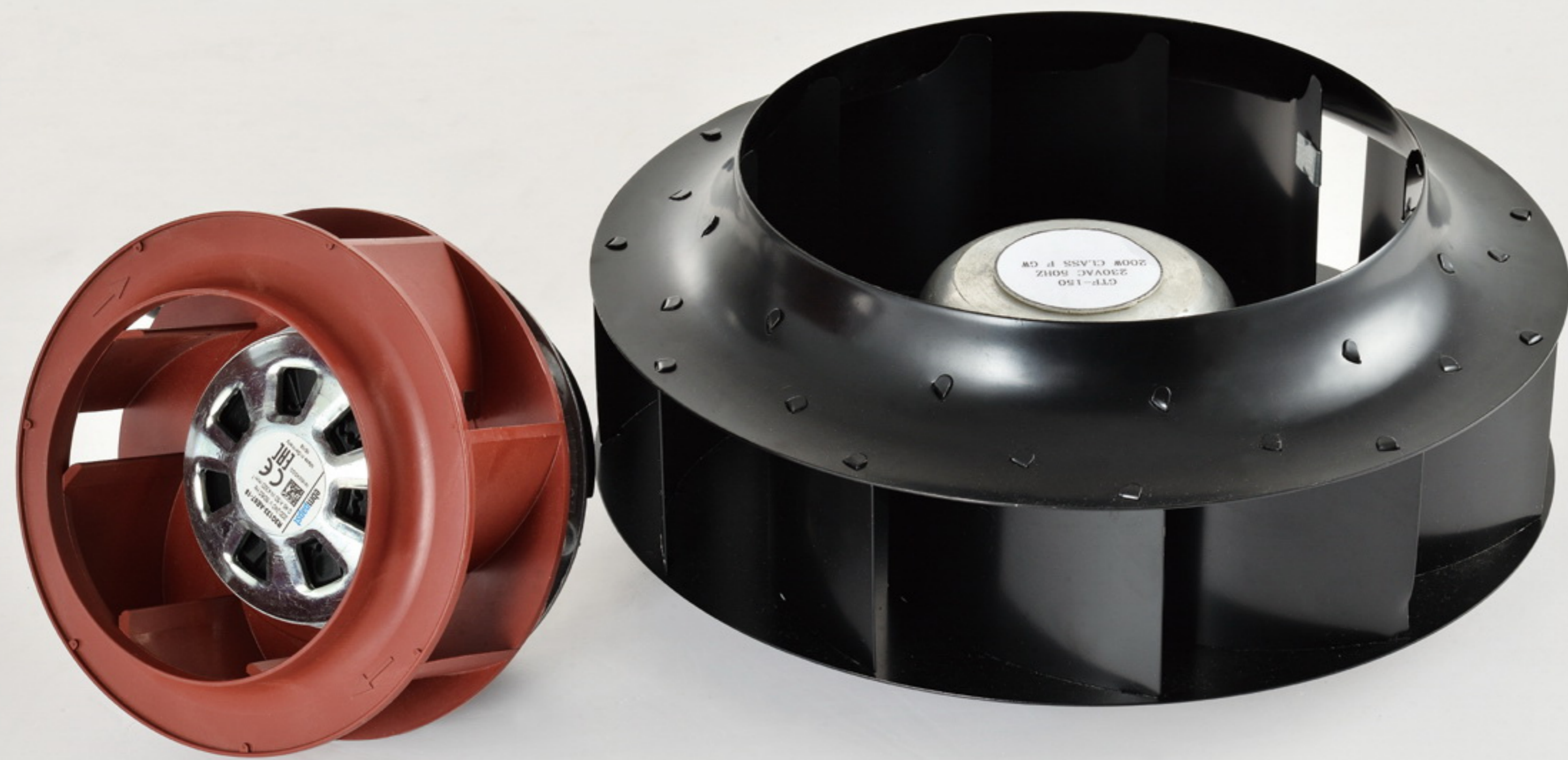
Product Parameters:

Model	Voltage (V)	Hertz (Hz)	Current (A)	Input Power (W)	Rotation (RPM)	Insulaton Level	Size		
							A(mm)	B(mm)	C(mm)
HB-02	220-240	50	1.15	163	1856	F	275	200	230
HB-02	220-240	50	0.8	130	2400	F	230	190	170

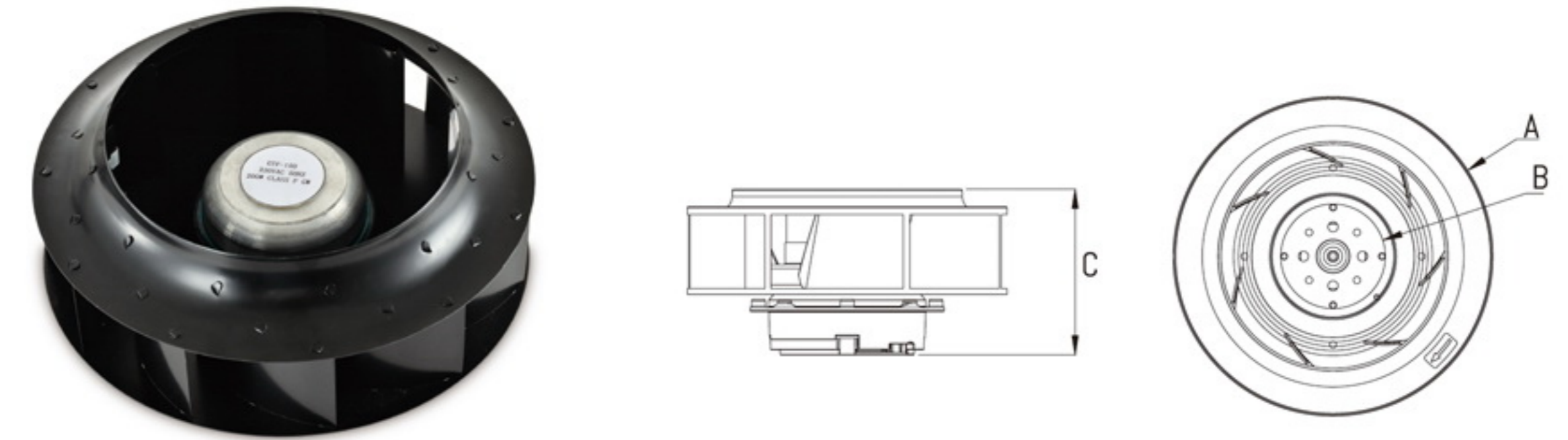
OTHER COMPONENTS

Impeller with Motor

IM-004, IM-006/008, IM-010 and IM-012 come with an external rotor motor and a metal impeller. IM-004DC, IM-101DC and IM-012DC come with external brushless motor and a metal impeller. IM-006DC-HE and IM-008DC-HE come with external brushless motor and a plastic impeller. All these impellers with motors are adopted in in-line duct fans, we could we could designed and produced different voltage, frequency and shaft elongation motors and different impeller according to your requirements.

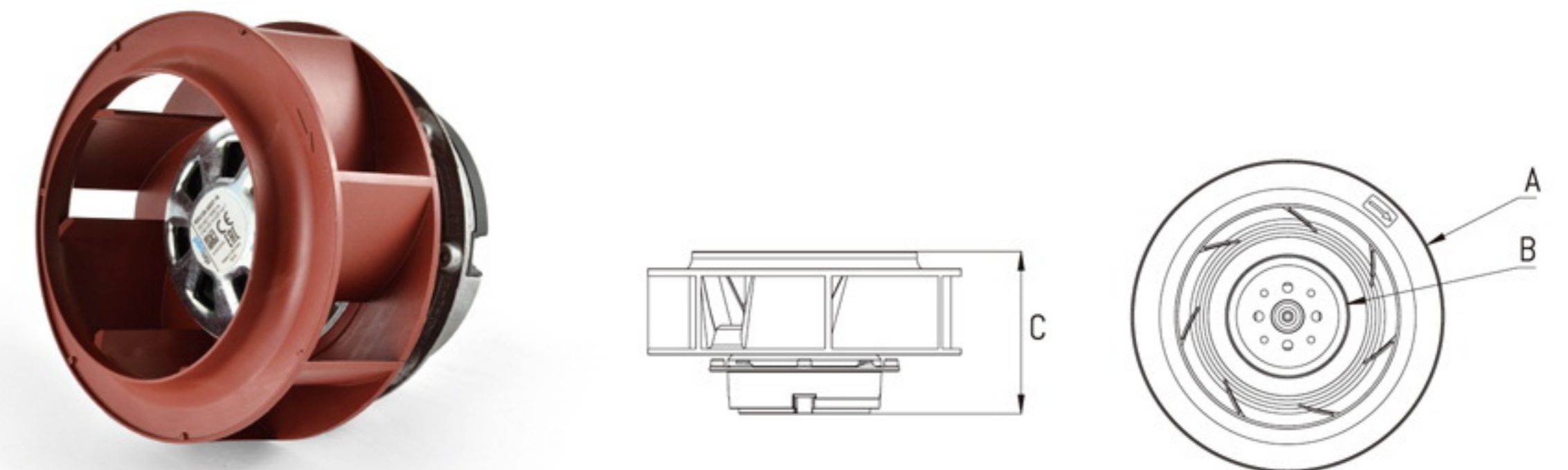


IMPELLER WITH MOTOR



Product Parameters:

Model	Voltage (V)	Hertz (Hz)	Current (A)	Input Power (W)	Rotation (RPM)	Size		
						A(mm)	B(mm)	C(mm)
IM-004	230	50	0.348	80	2450	Ø200	Ø91	78.5
IM-006/008	230	50	0.87	200	2500	Ø250	Ø91	109
IM-010	230	50	0.87	200	2600	Ø250	Ø91	109
IM-012	230	50	1.217	280	2578	Ø320	Ø91	116
IM-004DC	230	50	0.348	60	2450	Ø200	Ø91	78.5
IM-010DC	230	50	0.87	160	2600	Ø250	Ø91	109
IM-012DC	230	50	1.217	200	2578	Ø320	Ø91	116



Product Parameters:

Model	Voltage (V)	Hertz (Hz)	Current (A)	Input Power (W)	Rotation (RPM)	Size		
						A(mm)	B(mm)	C(mm)
IM-006DC-HE	230	50	0.217	50	4300	Ø152	Ø72	98
IM-008DC-HE	230	50	0.348	80	3200	Ø203	Ø72	98

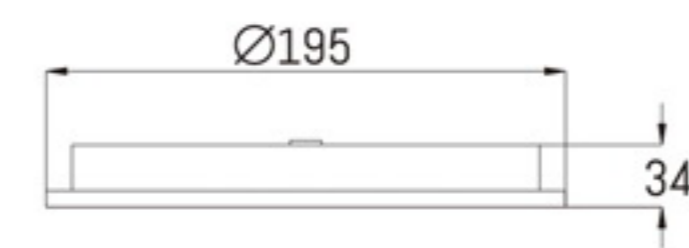
ACTIVATED CHARCOAL FILTER

Activated Charcoal Filter

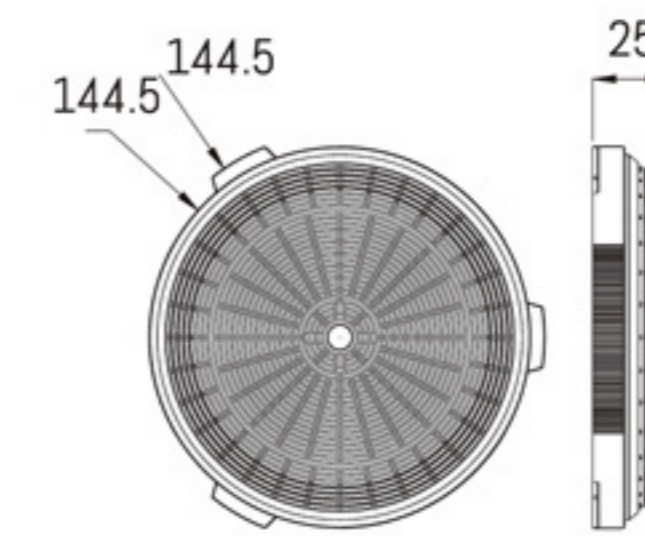
ACT-01 and ACT-02 come with a cotton net with plastic shell and activated charcoal particles. From ACT-03 to ACT-09 come with plastic shell and activated charcoal particles. ACT-10 and ACT-11 come with plastic shell and activated charcoal fibre. All these filters are adopted in hood products.



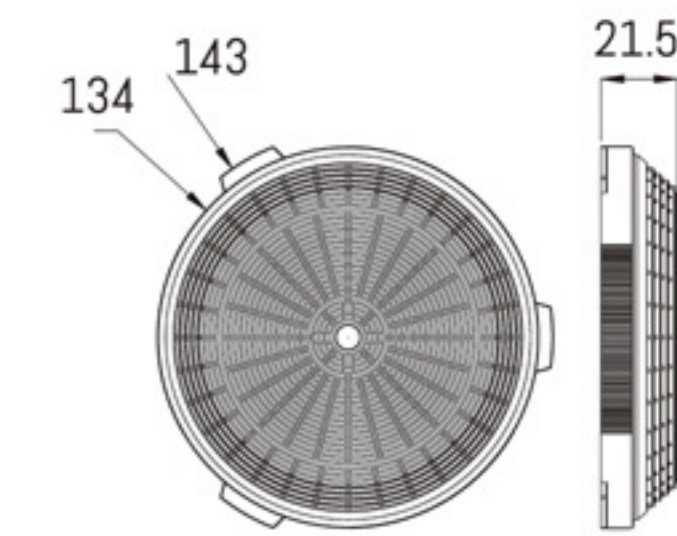
ACT-01



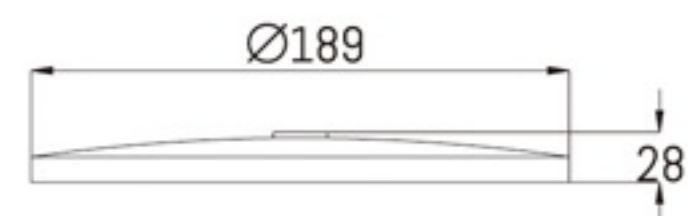
ACT-06



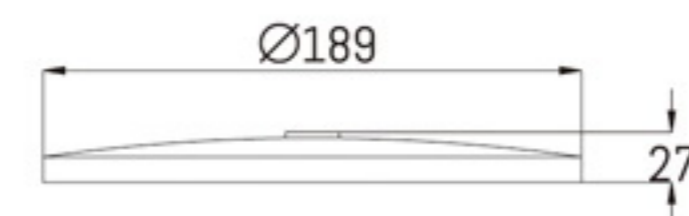
ACT-07



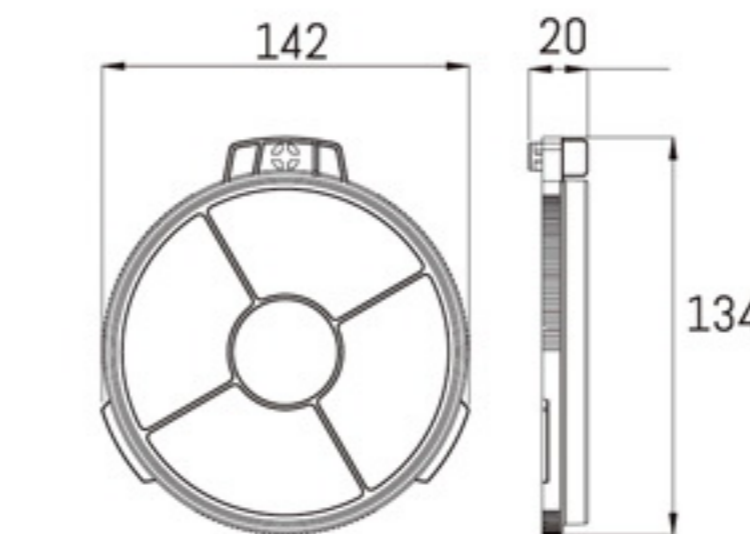
ACT-02



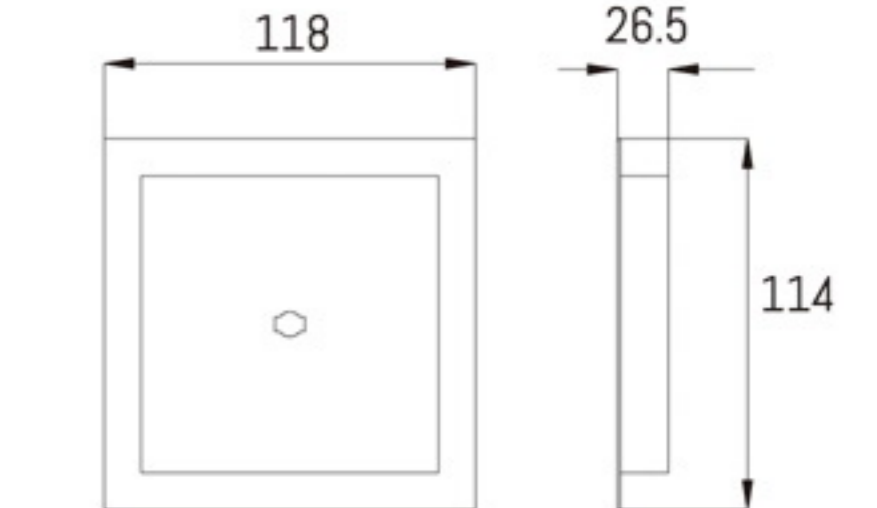
ACT-03



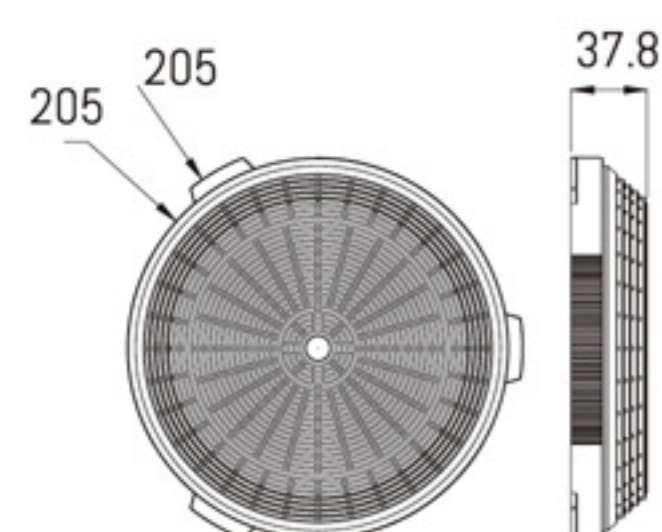
ACT-08



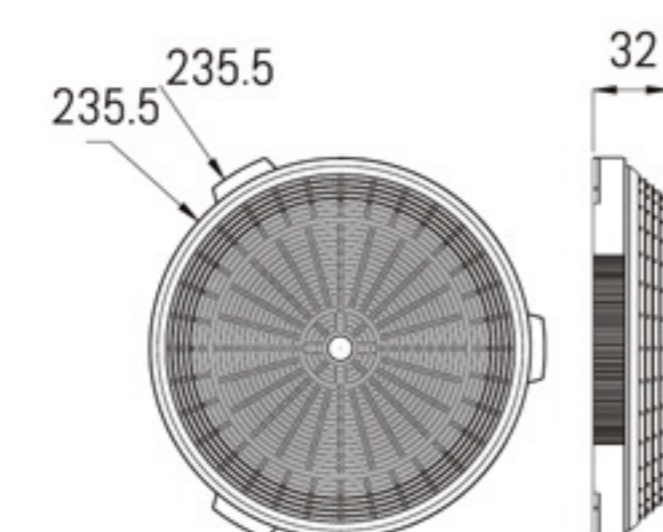
ACT-09



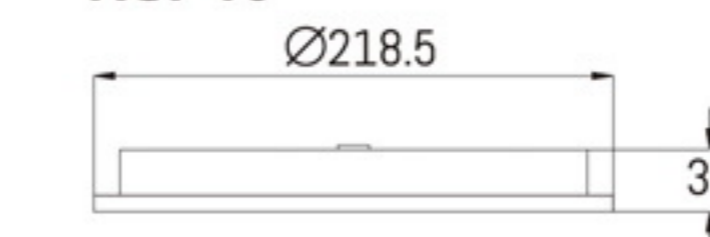
ACT-04



ACT-05



ACT-10



ACT-11

